

CADET COM-PAK BATH



- Quick, efficient warmth for the bathroom
- Built-in thermostat and 60-minute auto-timer
- Painted heating element prevents rust in damp bathroom environments
- Includes high-temperature safety shutoff feature
- Multi-volt and multi-watt options available to match your room size
- Fits same wall can as our popular Com-Pak series, for easy install or replacement of your existing Com-Pak heater
- Conforms to UL Std. 2021 and Certified to CAN/CSA Std. C22.2 No. 46

Say goodbye to chilly mornings with the Com-Pak Bath heater. Set the built-in auto-timer to override the thermostat so you can warm your bathroom instantly.

ARCHITECTURAL - ENGINEERING INFORMATION

Fan forced up flow electric air heaters are cULus listed, factory rated at 120V/240V or dual field rated from 208V to 240V. The galvanized wall mounting can is made from 20-gauge sheet metal with seven electrical knockouts and a 22 cubic inch wiring compartment. Each heating unit is of unitized construction and attaches to the wall can with a single screw and is self contained and completely separate from the wall mounting can. Elements are tube and plate, painted, with an over-sized 16 amp rating at 240V high temperature manual reset limit switch. A centrifugal blower is driven by an impedance protected motor. The motor is totally isolated from the heating element. Metal grill is of one piece, 20-gauge construction, and finished with a powder coat paint system. All heaters include a built-in single pole thermostat and 60-minute timer. The Com-Pak Bath heater is not to be used with a wall thermostat. The multi-volt option must be configured for the correct voltage before installing the heater. The multi-watt option must be configured for the desired wattage before installing the heater.

TECHNICAL INFORMATION

UL safety standards require the heater to be placed a minimum distance of 3/4 inches (1.9 cm) from adjacent surfaces and 4-1/2 inches (11.4 cm) from the floor. Cadet recommends a 12 inch (30.5 cm) clearance from all surfaces for longer and cleaner performance. A 3 foot (91.44 cm) minimum clearance is required for furniture or other objects placed directly in front of heater. Install vertically. This heater is not approved for horizontal or ceiling installation. Electric wall heaters work best when installed on an inside wall. We recommend installing heater assembly after walls are finished. Heater must be cleaned every six months minimum.



COM-PAK BATH

Grille: 9" W (22.9 cm) x 12" H (30.5 cm) x 5/8" D (2.5 cm)

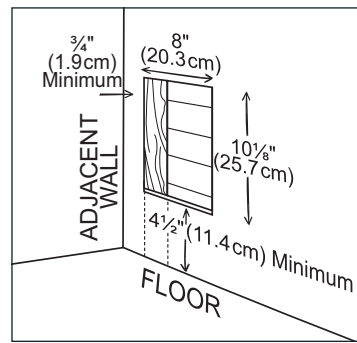
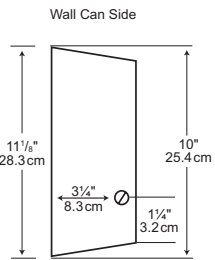
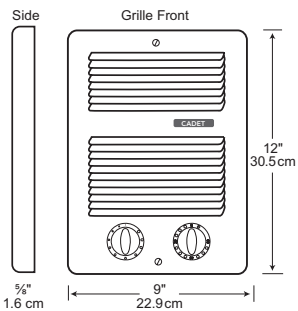
Rough-in: 8" W (20.3 cm) x 10-1/8" H (25.7 cm) x 4" D (10.2 cm)

Heater assemblies require a wall can and grille kit, and may require a trim kit

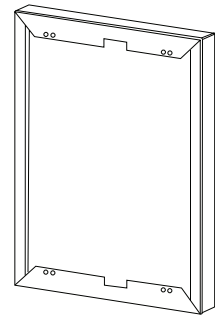
PART	MODEL	DESCRIPTION	WATTS	VOLTS	AMPS	BTUS	LBS/KGS
65101	CBC103TW	Complete unit with thermostat and timer, wall can and grille, multi volt	1000	120/240	8.3/4.2	3415	8.0/3.6
65105	CBC132TW	Complete unit with thermostat and timer, wall can, and grille, multi-watt	500/800/1300 375/600/975	240 208	2.1/3.3/5.4 1.8/2.9/4.5	1710/2730/4440 1280/2050/3300/3.6	8.0/3.6
65103	CB103T	Heater assembly with thermostat and timer, multi volt	1000	120/240	8.3/4.2	3415	4.7/2.1
65105	CB132T	Heater assembly with thermostat and timer, multi-watt	500/800/1300 375/600/975	240 208	2.1/3.3/5.4 1.8/2.9/4.5	1710/2730/4440 1280/2050/3300	4.7/2.1

WALL HEATER ACCESSORIES (MODEL CB)

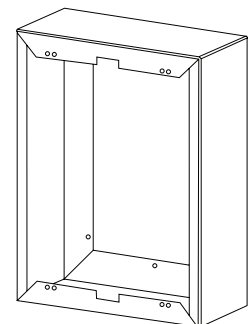
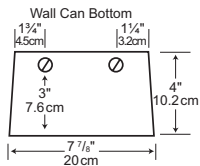
PART	MODEL	DESCRIPTION	LBS/KGS
67061	CC	Wall can for model CS, CM, CE, CB or HW, single pack, galvanized	2.8/1.3
67060	CC10	Wall can for model CS, CM, CE, CB or HW, 10-pack, galvanized	22.5/10.2
65110	CBGW	Grille kit for model CB, single pack, white	1.5/0.7
65150	CBGW5	Grille kit for model CB, 5-pack, white	7.0/3.2
67091	C1TKW	Trim kit for model CS or CB, 1" (2.5 cm), white, retail box	1.0/0.5
67094	C4TKW	Surface trim kit for model CS or CB, 4" (10.2 cm), white, retail box	3.0/1.4
67105	CAMW	Adapter plate for model CS, CM, CE or CB, 18-1/2" W x 22" H, white	3.4/1.5
67115	SAMW	Adapter plate for model CS, CM, CE or CB, 12" W x 21-1/4" H, white	2.8/1.3



ROUGH-IN: 8" W (20.3 CM) X 10-1/8" H (25.7 CM) X 4" D (10.2 CM)



C1TK TRIM KIT: 9-1/4" W (23.5 CM) X 12-1/4" H (31.1 CM) X 1-1/8" D (2.8 CM)



C4TK SURFACE TRIM KIT: 9-1/4" W (23.5 CM) X 12-1/4" H (31.1 CM) X 4-1/8" D (10.6 CM)

*Suffix W in model designates color

Note: 5-pack models must be ordered in multiples of 5; 10-pack models in multiples of 10