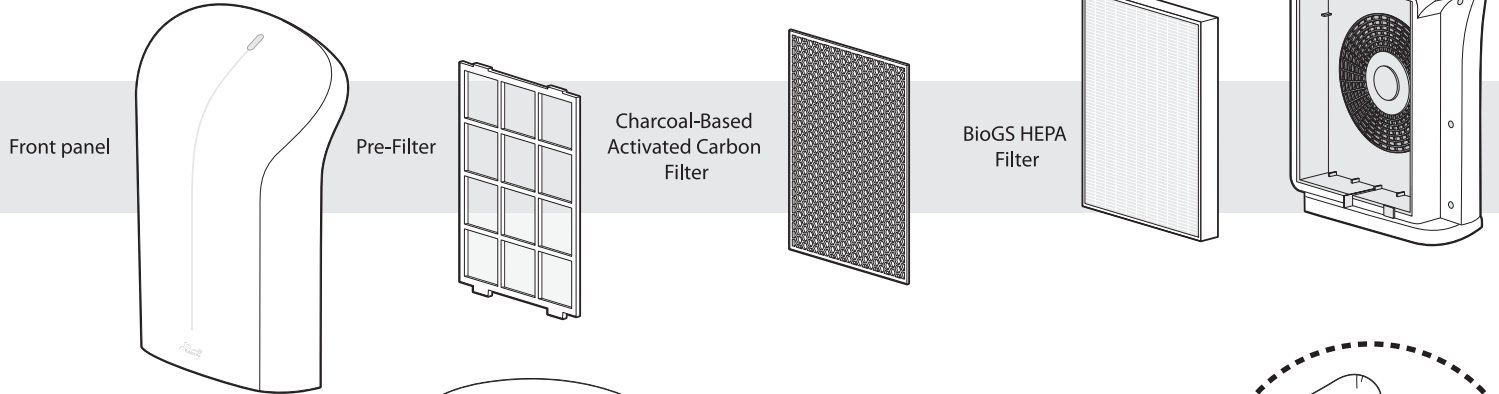


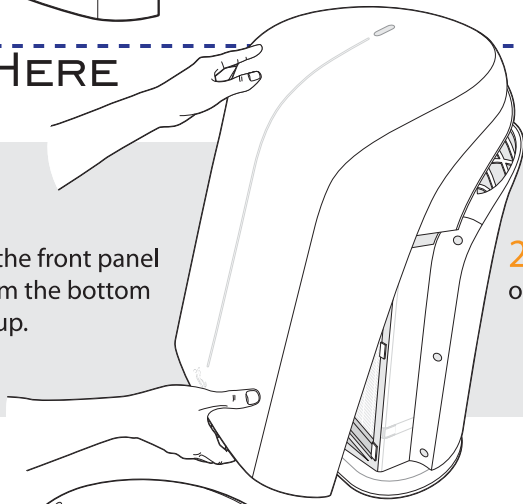
LET'S BEGIN!

Do not operate the unit until completing these steps first

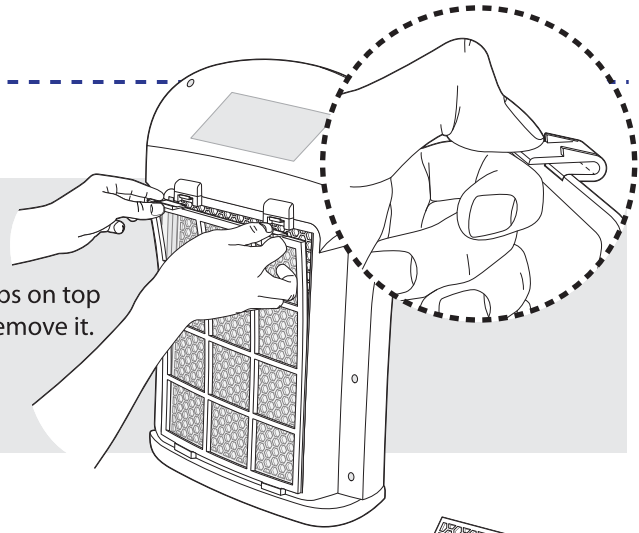


START HERE

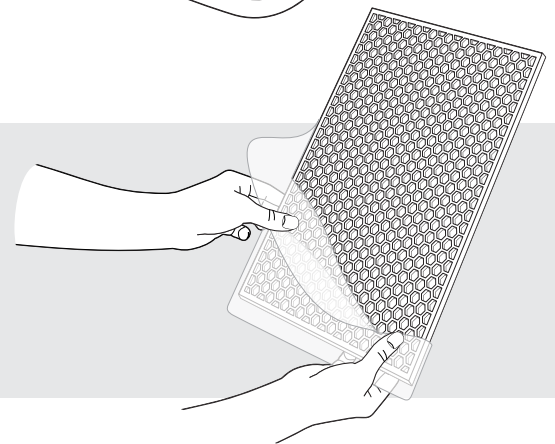
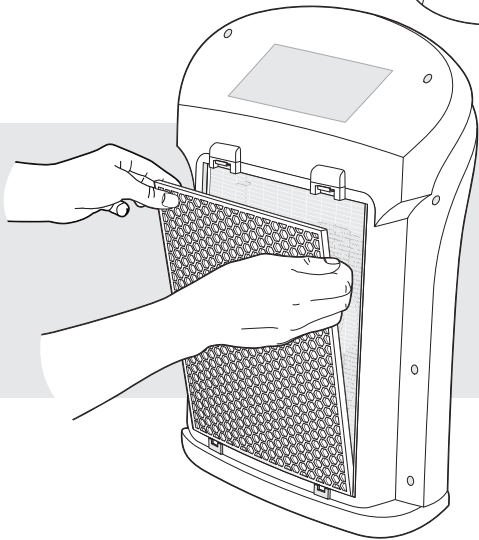
1. Remove the front panel by lifting from the bottom and pulling up.



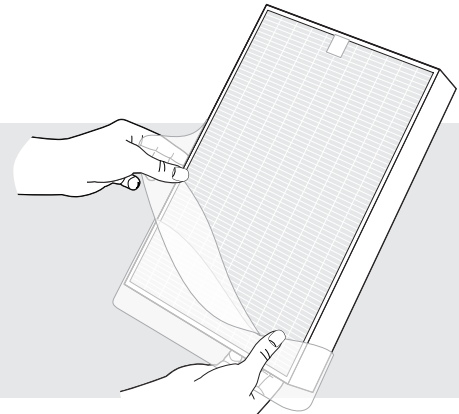
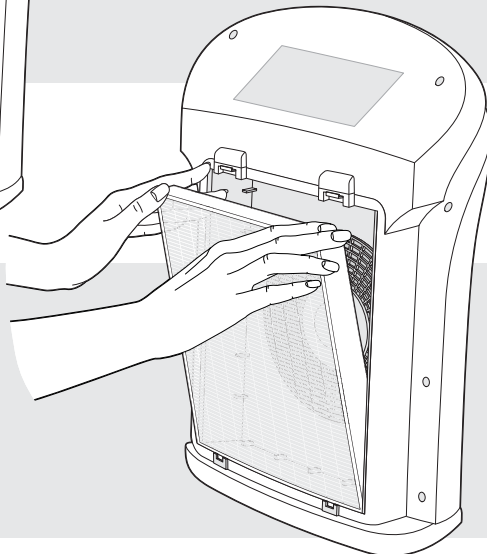
2. Pinch the two tabs on top of the Pre-Filter to remove it.



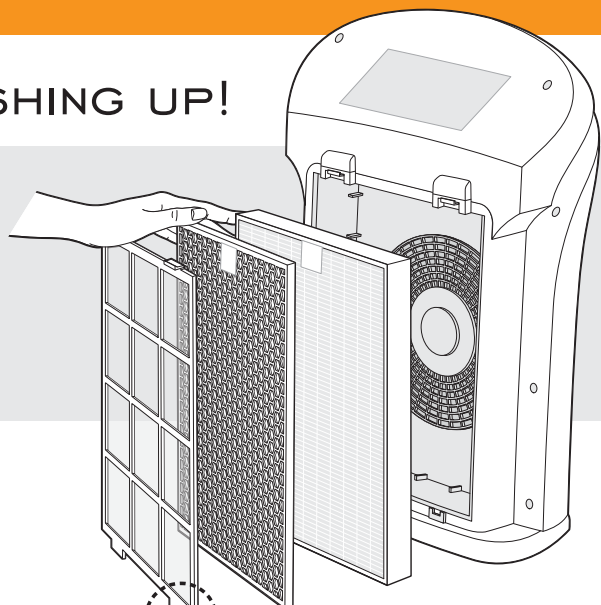
3. Pull out the Activated Carbon Filter and discard its plastic wrapping.



4. Remove the HEPA Filter and discard its plastic wrapping.

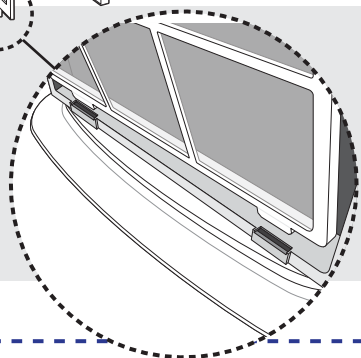


FINISHING UP!



5. Return the filters to the filter case in the following order from back to front:

- BioGS HEPA Filter
- Activated Carbon Filter
- Pre-Filter



6. Reattach the front panel.



MEET THE USER INTERFACE

FILTER STATUS (See page 11 & 12 in the manual)

Filter Maintenance Indicator

On: Clean Filters
Flashing: Replace Filters

New Filters
15 Months
12 Months
9 Months
6 Months
3 Months

Filter Life Indicator

Press to turn off Filter Maintenance Indicator
Press & hold to reset Filter Life Indicator

DEVICE CONTROL (See page 8 in the manual)

Tap to power on and change mode
Press & hold to power off

DEVICE SETTINGS
(See page 9 & 10 in the manual)

Air Quality
Pollutant level Low • • • High

Fan Speed
Low • • • High

Auto Mode
Sensitivity level Low Med High

Sleep Timer
4hr 8hr 12hr

Negative Ions
On/Off

- This feature can be accessed through the main control button.
- This feature can be accessed through the remote.

• Air Quality Indicator

The Air Quality readings are based on both odor and particle levels in the air.

• Fan Speed

Indicates the current fan speed of the unit.

• Auto Mode

Indicates the sensitivity of the air quality sensors. The fan will automatically adjust its speed.

• Timer

Set the air purifier to turn off after 4, 8, or 12 hours.

• Negative Ions

Turn the Negative Ion Generator on or off.