



SEBO AIRBELT K

MADE IN GERMANY

# OWNER'S MANUAL

For Household Use Only



# TABLE OF CONTENTS

<b>Technical Details</b> .....	<b>2</b>
<b>Important Safety Instructions</b> .....	<b>3</b>
<b>Special AIRBELT K Product Features</b> .....	<b>4</b>
<b>AIRBELT K2 Features</b> .....	<b>4</b>
<b>AIRBELT K3 Features</b> .....	<b>5</b>
<b>Optional Attachments, Accessories, Bags and Filters</b> .....	<b>5</b>
<b>Standard Features of All SEBO Vacuums</b> .....	<b>6</b>
<b>Identification of Parts</b> .....	<b>7</b>
Standard Attachments .....	7
Brushes and Heads .....	7
<b>Assembly</b> .....	<b>7</b>
<b>Operating Instructions</b> .....	<b>8</b>
Starting the Machine .....	8
Suction Control .....	8
Operating the Machine .....	8
<b>Additional Operating Instructions for K3 with Power Head</b> .....	<b>9</b>
Starting the Machine and Suction Control .....	9
Operating the Machine .....	9
Using the Telescopic Tube, Hose & Attachments .....	10
<b>Use and Maintenance of Brushes and Heads</b> .....	<b>10</b>
The Parquet Brush .....	10
The Kombi Nozzle .....	10
The Turbo Nozzle .....	10
<b>Vacuum Maintenance</b> .....	<b>11</b>
Changing the Filter Bag .....	11
Changing the Exhaust Filter .....	11
Changing the Micro-Hygiene Filter .....	11
Changing the AIRBELT .....	11
<b>Clog Removal</b> .....	<b>12</b>
Clogs in the Head or Brush .....	12
Clogs in the Telescopic Tube .....	12
Clogs in the Hose .....	12
Clogs in Entrance to Filter Bag .....	12
<b>Trouble-Shooting Guide</b> .....	<b>13</b>
<b>AIRBELT K2 Schematic and Part Numbers</b> .....	<b>14</b>
<b>AIRBELT K3 Schematic and Part Numbers</b> .....	<b>15</b>
<b>Warranty</b> .....	<b>16</b>
<b>How To Contact SEBO</b> .....	<b>16</b>

## TECHNICAL DETAILS

Vacuum motor	1250 watts (10.6 amps)
Water lift (at motor)	110 inches
Airflow (at motor)	120 CFM
Filter bag capacity	.8 gallons
Sound level	78 dB (A)
Body weight	12 lbs
Motor protection	thermal cut-out
Cord length	24.5 feet
Range	36.75 feet

Technical details may be subject to change.

# IMPORTANT SAFETY INSTRUCTIONS



## READ ALL INSTRUCTIONS BEFORE USING THIS MACHINE

### When using an electrical appliance, basic precautions must always be followed.

To reduce the risk of electric shock, this vacuum cleaner has a polarized plug; one blade is wider than the other. This plug will fit in a polarized outlet only one way. If the plug does not fit fully in the outlet, reverse the plug. If it still does not fit, contact a qualified electrician to install the proper outlet. Do not change the plug in any way. Connect only to the outlet type specified on the serial number plate underneath the machine.

### SAVE THESE INSTRUCTIONS.

## WARNING: To reduce the risk of fire, electric shock, or injury:

1. Do not leave vacuum while plugged in. Unplug from outlet when not in use and before servicing.
2. Do not use outdoors or on wet surfaces.
3. Do not use near small children or pets. Do not allow to be used as a toy. Use of this product by children should always be supervised by an adult.
4. Use only as described in this manual. Use only manufacturer-recommended attachments.
5. Do not use with a damaged cord or plug. If vacuum is not working as it should, has been dropped, damaged, left outdoors, or dropped into water, take it to a SEBO service center.
6. Do not pull or carry by cord, use cord as a handle, close a door on cord, or pull cord around sharp edges or corners. Do not run vacuum over cord. Keep cord away from heated surfaces.
7. Do not unplug by pulling on cord. To unplug, grasp the plug – not the cord.
8. Do not use outlets above counters to plug in vacuum – damage to items in the surrounding area could occur.
9. Always carry the vacuum over steps and sills.
10. Do not handle plug or vacuum handle with wet hands.
11. Do not put any object into vacuum openings. Do not use machine with any openings blocked. Keep openings free of lint, hair, and anything that may reduce air flow.
12. Do not re-use filter bags or wash the filters.
13. Do not remove any screws from vacuum.
14. Do not vacuum up anything that is burning or smoking, such as cigarettes, matches, or hot ashes.
15. Do not use vacuum without filter bag and/or filters in place.
16. Turn off all machine controls before unplugging.
17. Use extra care when cleaning on stairs.
18. Do not use machine to vacuum up flammable or combustible liquids such as gasoline or use in areas where they may be present.
19. Machines can cause a fire when operated near flammable vapors or materials. Do not operate this vacuum near flammable fluids, dust or vapors.
20. Maintenance and repairs must be done by qualified personnel.
21. Use only original SEBO replacement parts.
22. Do not use vacuum as a step.
23. If vacuum is used on plush carpet or carpet with thick padding, do not leave machine standing in one place with machine turned on.
24. While the vacuum is in use, the power cord should be unwound from the cable reel at least two thirds of its length. Hold plug when rewinding onto the cord reel. Do not allow plug to whip while rewinding.
25. Keep hair, loose clothing, fingers, and all parts of body away from vacuum openings and moving parts. Do not place fingers or other body parts under vacuum unless it is unplugged.
26. Do not place the power head over rug or carpet edges.
27. The vacuum has a manual reset thermal protector. The protector is reset by switching off the vacuum. The thermal protector needs some time to cool down after switching off! Check the vacuum for air blockages or mechanical failures before switching on.
28. Store the vacuum in a dry place at room temperature. When the vacuum is not in use, you should rewind the cord onto the cord reel.
29. Any other servicing should be performed by an authorized service representative.
30. The hose contains electrical wires. Do not use if damaged, cut, or punctured. Avoid picking up sharp objects.
31. Always unplug vacuum before connecting or disconnecting either hose or power head.
32. Use a SEBO power head only in combination with a SEBO vacuum cleaner.
33. Do not connect power head to a malfunctioning or damaged vacuum.

# SEBO AIRBELT K PRODUCT FEATURES

**Bag Full or Clog Light & Auto Shut Off** – A warning light will illuminate and the machine will automatically shut off, when it senses a full bag, a clog in the airflow pathway, or an excessively dirty micro filter. If the vacuum's airflow pathway becomes restricted due to a full bag or the existence of a clog, the amber "BAG FULL OR CLOG" light (located on top of the canister near the ON/OFF power control knob) will illuminate. If the user ignores this warning, the suction motor will heat up due to the lack of cooling provided by the airflow. Once the motor reaches a certain temperature it will shut off to protect itself from damage. The user should turn the switch off, unplug the machine and immediately insert a new bag or remove the clog (to remove a clog, refer to the Clog Removal section on page 12). After approximately 30 minutes, the motor will have cooled and the vacuum can be restarted. If the airflow is still restricted, the "BAG FULL OR CLOG" light will again illuminate and the machine will shut off. This feature prevents damage to the motor due to overheating.



**Shock Absorber Provides Furniture and Wall Protection** – The "AIRBELT" bumper that surrounds the K canisters acts as a protective barrier. The soft foam bumper with its durable covering protects furniture, walls and the vacuum itself from damage during use.



**Personalized Vacuums** – AIRBELT canister vacuums can be personalized with a replacement AIRBELT bumper cover available in eight patterns and colors.

**Large Operating Range** – A 36.75-foot operating range saves time because it minimizes the number of electrical outlets needed during use.

**Quick-release Connections** – The AIRBELT K models allow for quick and convenient connection of telescopic tubes, power brush heads, accessory cleaning heads and on-board tools.

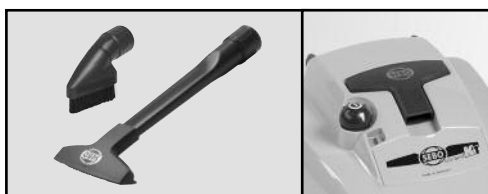
**Comfortable Ergonomic Handle** – The AIRBELT handles are ergonomically designed and positioned to reduce wrist and arm fatigue. For extra comfort, an additional swivel is built into the handle-to-hose connection.

**Mid-sized Canister Vacuum** – The SEBO AIRBELT K3 and K2 are considered mid-size canister vacuums, which means they are machines medium in size that offer mid-sized, on-board attachments and a mid-sized filter bag with a dirt capacity of .8 gallons. The K machines also weigh four pounds less than the C machines.

**Rubber Coated Wheels and High Quality Castors** – The quality of the wheels and castors on SEBO canisters prevent damage to floors and rotate 360° for easy maneuverability.



**Three On-board Tools** – The vacuum comes standard with a crevice tool, dusting brush and upholstery nozzle. The dusting brush is mounted on the telescopic tube, and the crevice and upholstery nozzles are on the canister. Many optional accessories are also available.



Dusting Brush    Crevice Nozzle  
Upholstery Nozzle

## AIRBELT K2

**AIRBELT K2:** The SEBO AIRBELT K2 is a straight-suction vacuum. As a result, it differs from the AIRBELT K3 in the following two ways:

**Variable Power Control on Canister Body** – Because the AIRBELT K2 does not have an electrified hose and handle, its variable power control switch is located on the canister body, not the handle.



**Can Not Use a Power Brush** – The AIRBELT K2 does not have an electrified telescopic tube and hose; therefore, it does not accommodate an electrified power brush. Instead, your K2 model comes standard with one or more of the following: a Turbo Nozzle (an air-driven brush head) for cleaning rugs and carpet; a Parquet Brush for cleaning hard floors; or a Kombi Nozzle for rugs and carpet.



Turbo Nozzle

Parquet Brush

Kombi Nozzle

K2 Midnight Blue comes standard with the Kombi Nozzle. K2 Hunter Green comes standard with the Turbo Nozzle and the Parquet brush.

# AIRBELT K3

## Designed for All Floor Surfaces. AIRBELT K3:

The AIRBELT K3 has an electrified telescopic tube designed to accommodate the ET-1 power head. The ET-1 is designed to provide thorough brushing for optimal cleaning of carpets.



**Both Carpet and Hard Floor Cleaning** – With a power brush to clean carpets and a parquet nozzle to clean hard floors, the AIRBELT K3 provides all the flexibility needed to care for a variety of floor surfaces. The parquet nozzle comes standard.

**High-quality Telescopic Tube and Hose** – On the K3, the power cord is built inside the telescopic tube and suction hose. This eliminates unsightly external wires and enables unobstructed and convenient handle height adjustment.

**Variable Power Control on Handle** – The vacuum's suction power can be adjusted from 0 to 1,250 watts by a slider switch conveniently located on the handle.



**Powerful Vacuum Motors Provide Excellent Cleaning** – The canister suction motor is 1,250 watts, and the power head motor is 175 watts (ET-1), for a total of 1,425 watts.

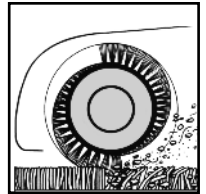
**The SEBO ET-1 (12" wide, 10 1/2" cleaning width)** – This power head delivers cleaning flexibility because its brush action aggressively cleans carpeting, and the brush may be switched off to clean hard floors and delicate rugs. The steering ability of the swivel neck helps to easily clean around obstacles, and its L-shaped head provides maneuverability around furniture and under cabinets. It also has brush height and brush wear warning lights.



**Brush Obstruction Light & Auto Shut Off** – If an obstruction becomes jammed in the brush roller, a warning light will quickly flash, the brush roller will immediately stop spinning and the vacuum will shut off. The user should turn the power switch off, unplug the machine, and immediately remove the obstruction. If the user restarts the machine without removing the obstruction, the power head will again shut off and the amber light will turn on. This prevents the belt from breaking and protects the motor from damage.



**Incorrect Height Setting or Brush Deterioration Light** – To ensure optimum cleaning at all times, a warning light will illuminate to indicate when the brush height is set too high for effective cleaning, or when the brush roller should be replaced due to excessive wear.

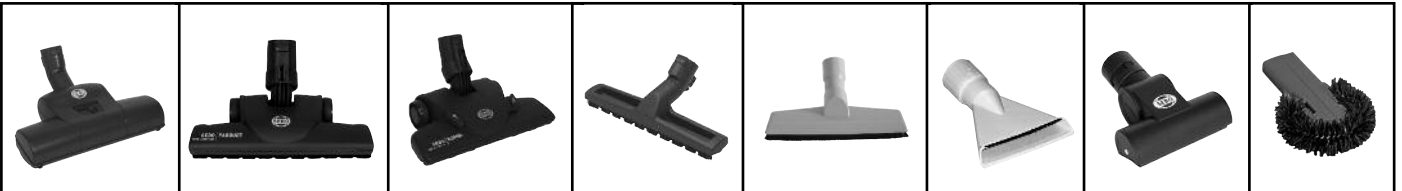


## OPTIONAL ATTACHMENTS, ACCESSORIES, BAGS & FILTERS

In addition to the standard on-board tools, a variety of optional attachments are available. The nine-foot extension hose (extends suction hoses) and the 20-inch extension tube are very popular because they create useful tools for cleaning stairs and out-of-reach areas. These two items are sold separately or as part of multiple item attachment kits. Another popular attachment is the hand held turbo brush for removing pet hair from upholstery.

SEBO filter bags can be purchased in boxes of eight and filters are sold separately. Also, bags and filters can be purchased together in model-specific kits called "Service Boxes." SEBO bags, filters and accessories are reasonably priced and widely available.

To create a fresh scent while vacuuming, "SEBO FRESH" is available. To use, deposit a scented stick in the filter bag.



Turbo Nozzle  
Part #6780ER

Premium Parquet Nozzle  
Part #7200GS

Kombi Nozzle  
Part #7260GS

Parquet Brush  
Part #6391DA

Wall & Floor Brush  
Part #1325HG

Flat Upholstery  
Nozzle  
Part #1090HG

Hand-held Turbo  
Brush  
Part #6179DA

Radiator Brush  
Part #1496GS



SEBO FRESH  
Part #0496AM

K Filter Bags  
Part #6629AM

K Service Box  
Part #6695AM

HEPA  
Service Box  
Part #6431ER

Filter Box  
Part # 6696AM

AIRBELT  
Available in  
several colors  
and patterns  
Part #6047AM/01-08

20-inch Extension Tube  
Part #1084HG

9-foot Extension Hose  
Part #1495AM

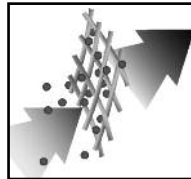
# STANDARD FEATURES OF ALL SEBO VACUUMS

## SEBO'S FILTRATION SYSTEM:

**Bags are Better!** – Top-fill, three and four-layer bags are an integral part of SEBO's filtration system because they hold virtually all dirt captured by the vacuum, which improves the effectiveness and useful life of the microfilters. They also ensure continuously strong suction because dirt enters from the top, deposits at the bottom, accumulates upward, and air exits through the sides, which allows unimpeded airflow as they fill to capacity. And they can be sealed when full, so no dust can escape into the air during bag removal and disposal.



In contrast, without bags to hold nearly all the captured dirt, the microfilters on bagless vacuums quickly clog from excessive dirt build-up and must be replaced often, or a loss of suction and cleaning effectiveness will occur. In addition, dust and other allergens become airborne when emptying bagless dirt containers. Lastly, bagless vacuum microfilters are expensive, usually costing more than a multi-year supply of SEBO filter bags.

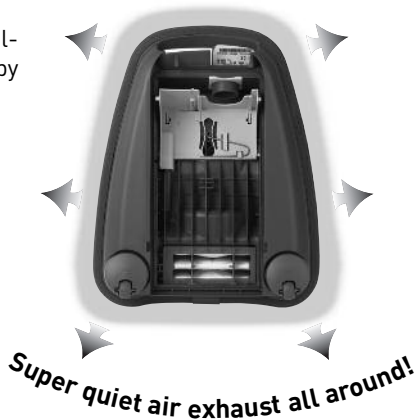


**S-class Pre-motor Microfilters** – S-class Pre-motor Microfilters (S = "Schwebstoff" = airborne particles) are made from electrostatically charged micro-fiber material, which attracts and captures dust particles from the airflow of the vacuum before it passes over the motor to cool it. Cooling the motor with super-clean air increases motor life and reduces the possibility of maintenance, even after many years of use. This means that exhaust air is cleaned to the highest level. The S-class Standard requires filters to absorb greater than 99.9% of particles down to 0.3 microns in diameter. For comparison, 100 microns is the diameter of a human hair. Their advantages are a relatively open texture that allows smoother airflow for better suction performance, a longer life expectancy, and they cost less than HEPA filters



**HEPA Pre-motor Microfilters (Optional)** – HEPA Pre-motor Microfilters ("High Efficiency Particulate Air") remove a minimum of 99.97% of all airborne particulate matter down to 0.3 microns in diameter. Because these filters use small grid-like structures to capture dust particles, dirt build-up clogs the airflow pathway sooner than what is expected from S-class microfilters. However, SEBO's HEPA microfilters are sold along with four-layer "Ultra-bags," which provide highly effective filtration before the airflow goes through the HEPA microfilter, greatly increasing life expectancy and reducing the potential of diminished air flow.

**Exhaust Filters** – Exhaust filters clean the air emitted by the vacuum motor.



**Designed and Manufactured in Germany** – Legendary quality, reliability and performance make SEBO vacuums the choice of cleaning professionals throughout the world.

**Excellent for Users With Allergies or Asthma** – The British Allergy Foundation recommends SEBO filters.

**Tightly Sealed Vacuums Ensure Effective Filtration** – Dirty air, which flows through a vacuum, can only be filtered completely if it does not escape into the room through seams or seals in the machine. This is why all SEBO vacuums have tight seals throughout. Many vacuum companies with high-filtration claims are actually quoting specifications made by the manufacturer of the filter material, as measured in the laboratory, not the filtration effectiveness of the vacuum itself while operating. Whether or not dirty air can escape through leaks in the body of the machine is not considered. The filtration effectiveness of SEBO vacuums is tested while they operate.

**Save Money! SEBO Vacuums Last for Years and Extend Carpet Life!** – If properly maintained, SEBO vacuums save ordinary residential users hundreds of dollars by providing excellent performance for ten to fifteen years or more, and their deep-cleaning power-brush technology extends the life of carpets. Typical vacuums perform poorly, even when new, and usually do not last beyond two years. So six or seven "disposable vacuums" must be purchased during the average life expectancy of just one SEBO machine.

**Outstanding Warranty Coverage** – SEBO is confident about the quality of all its vacuums. Therefore, all models include a five-year warranty on the motor and all non-wear parts.

**SEBO Microfilters Ensure Continuously Strong Suction Performance** – They are also long lasting, inexpensive and easy to change in seconds.

**Changing Bags is Easy and Clean** – SEBO filter bags can be changed in just a few seconds, and a cap keeps dust sealed inside during removal and disposal.

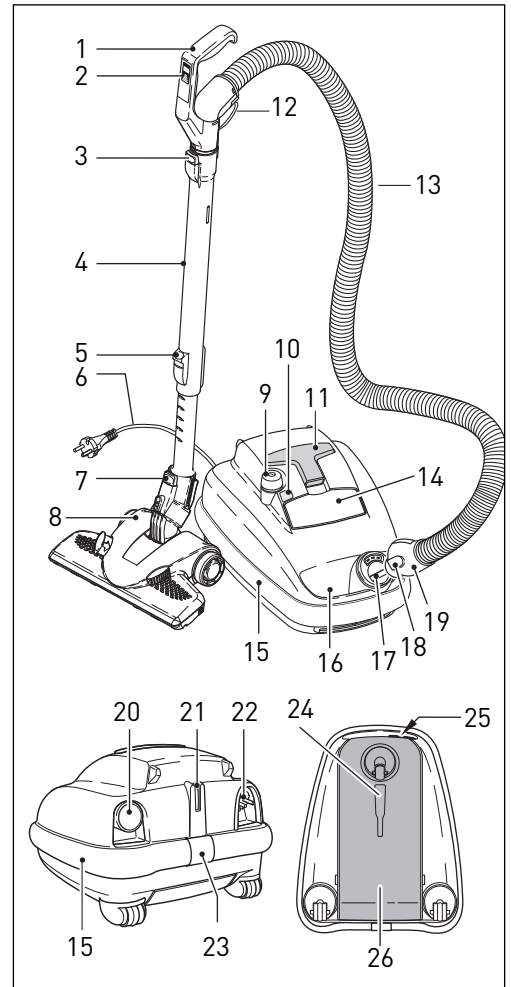


**Effective Pet Hair Removal** – All SEBO vacuums easily remove pet hair!

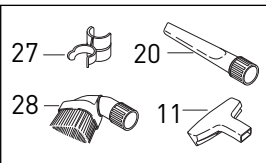


# IDENTIFICATION OF PARTS

- |                                   |                                    |
|-----------------------------------|------------------------------------|
| 1. Handle grip                    | 14. Exhaust filter cover           |
| 2. Power control slider (K3 only) | 15. AIRBELT shock absorber         |
| 3. Handle release button          | 16. Carrying handle                |
| 4. Telescopic tube                | 17. Suction opening                |
| 5. Slide button                   | 18. Hose release button (K3 only)  |
| 6. Power cable                    | 19. Hose neck                      |
| 7. Tool release button            | 20. Crevice nozzle                 |
| 8. Kombi nozzle                   | 21. Parking attachment holder      |
| 9. On/Off power control knob      | 22. Power cable shroud             |
| 10. Warning light                 | 23. AIRBELT clip                   |
| 11. Upholstery Nozzle             | 24. Parking attachment holder      |
| 12. Mains cable (K3 only)         | 25. Filter bag cover release catch |
| 13. Hose                          | 26. Filter bag cover               |

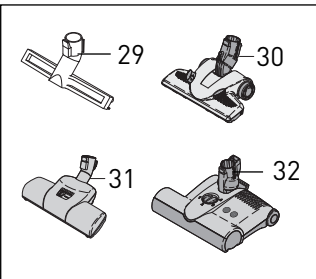


## Standard Attachments



- |                       |                        |
|-----------------------|------------------------|
| 20. Crevice nozzle    | 27. Dusting brush clip |
| 11. Upholstery nozzle | 28. Dusting brush      |

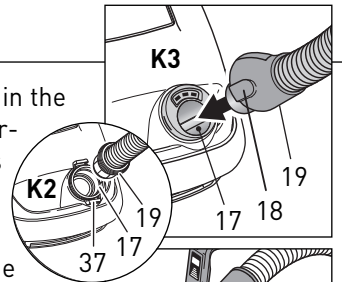
## Brushes and Heads



29. Parquet brush - standard for the K3 Volcano, Red and Onyx and K2 Hunter Green. Optional for the K2 Midnight Blue - Part #6391DA
30. Kombi nozzle - standard for the K2 Midnight Blue. Optional for the K3 Volcano, Red & Onyx and K2 Hunter Green - Part #7260GS
31. Turbo nozzle - standard for the K2 Hunter Green. Optional for the K3 Volcano, Red and Onyx and K2 Midnight Blue - Part #6780ER
32. ET-1 Power Head - standard for all K3s

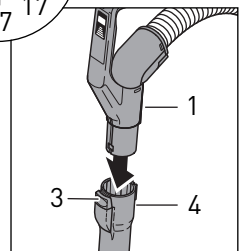
# ASSEMBLY

Push the neck (19) of the hose (13) into the suction opening of the canister (17). **K3:** The notch in the suction opening will line up with the raised bar on the neck. When the notches are lined up correctly, the neck will snap firmly into place. To release the hose from the suction opening, press the release tab (18) on the neck of the hose (19), and pull the neck out. **K2:** To release the hose from the suction opening, squeeze the tabs (37) on the retaining ring and pull the neck out.

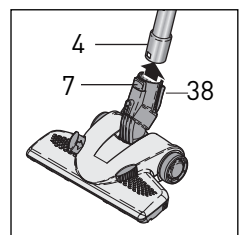


Attach the short mains cable (12 - K3 only) on the underside of the handle by connecting one cable plug where the hose connects to the handle and the other where the handle connects to the telescopic tube.

Connect the handle (1) to the top of the telescopic tube (4). Snap in place. To release the telescopic tube (4) from the handle, push the handle release button (3) and slide the handle out.



Attach the head or brush to the bottom of the telescopic tube (4). Insert the bottom of the telescopic tube into the neck of the head or brush (38) until it locks into place; or line up the square hole in the telescopic tube with the notches in the front of the neck, and snap firmly into place. To release a head or brush from the telescopic tube (4), push the release button (7), and pull the head or brush tool off the end of the telescopic tool. The release button (7) is in the same position on all of the heads, brushes and power heads.



To attach the dusting brush clip (27), locate the two raised ridges on the upper end of the telescopic tube (4) just below the handle. Push the clip onto the tube directly below the ridges then slide the clip up until it locks onto the ridges. Snap the dusting brush (28) into the holder.

**NOTE: To attach the ET-1 power head to your K3 canister, please refer to your power head owner's manual for instructions. Attaching incorrectly could cause damage.**

**NOTE:** All illustrations shown in this manual represent the K3 model except where part numbers and instructions are different for each model.

# OPERATING INSTRUCTIONS ALL K VACUUMS

## Starting The Machine - Figures 1, 2 & 3

Before turning on your canister, make sure that you have a firm hold on the handle grip to keep the machine from moving forward.

1. With the canister main power control knob (9) in the OFF position, grasp the plug and pull the power cord (6) out from the power cable recess (22). The power cord (6) should be unwound from the cable reel at least two thirds of its length. **Note:** do not over-extend the cord.
2. Plug the polarized power cord into a 120 volt wall outlet located near the floor.
3. Press the main power control knob on the base of the canister (9) gently with your foot or hand. The green light (10) will illuminate indicating that the power is on (K3 model only).

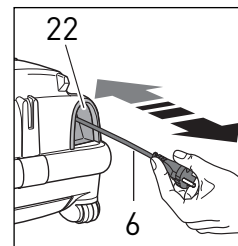


Figure 1

## Suction Control - Figure 3

**K2 users:** the suction control dial is located on the top side of the canister on the power control knob (9). Rotate the dial counter-clockwise for maximum suction. Rotate clockwise to reduce suction for vacuuming curtains or delicate fabrics.

**K3 users:** for information on suction control, refer to page 9 of this manual.

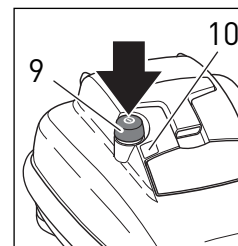


Figure 2 - K3

## Operating the Machine - Figures 4, 5, 6 & 7

Adjust the telescopic tube (4) to the correct height by pushing the slide button (5) and gently pulling the tube out to lengthen, or pushing it in to shorten. Release the slide button (5) to lock the tube to the adjusted height.

When changing heads, always switch the vacuum off with the power control knob (9), and then unplug the power cord.

The "bag full or clog" light (#10, figure 2) works correctly only at full power. At lower power levels, the "bag full or clog" light may illuminate incorrectly. Check the status of the filter bag regularly at full power. If the light remains illuminated at full power, and the filter bag is not full, check for clogs (see page 12).

To retract the cord, switch the vacuum off, unplug it from the outlet, then gently pull on the cord near the plug recess (22) and the mechanism will automatically rewind. Before rewinding the cable, always switch off and unplug the vacuum. Hold the plug while rewinding the cord onto the cord reel. Avoid letting the plug whip while rewinding.

The vacuum can be stored with the canister in a horizontal or vertical position. The Parquet brush, Kombi nozzle and Turbo nozzle have a parking tab located on the front of the neck (39). Insert the parking tab into the upper side of the parking groove and slide down firmly. For vertical storage, or for easy carrying, use the parking slot on the underside (24). For horizontal storage, use the parking slot on the end of the canister (21).

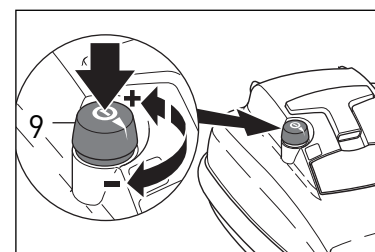


Figure 3 - K2

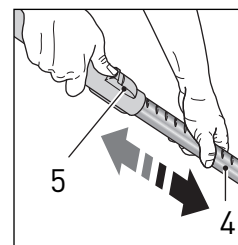


Figure 4

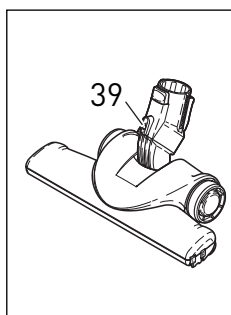


Figure 5

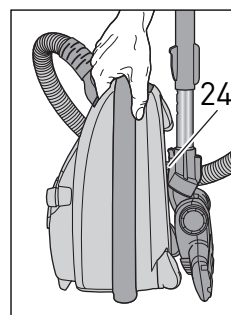


Figure 6

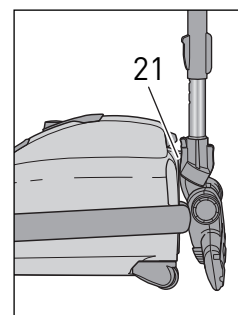


Figure 7



## WARNING!

The quality, condition, coating, texture, age and manufacturing technique of all floor surfaces vary. Therefore, vacuums with rotating brushes, including your SEBO, may damage some floor coverings or surfaces. Some types of high-gloss hardwood floors, cushion vinyl, berber carpets, long shag, and delicate or hand-woven carpets are particularly vulnerable to damage by rotating brushes. When possible, consult the materials supplied by your flooring manufacturer for information on proper upkeep and cleaning. **To ensure that your new SEBO vacuum cleaner is compatible with your floor, please test the vacuum cleaner on each type of flooring surface in a small inconspicuous area to determine if any damage occurs. If damage occurs, stop using the vacuum cleaner immediately!**



# ADDITIONAL OPERATING INSTRUCTIONS FOR K3 WITH POWER HEAD

Please refer to your ET-1 power head owner's manual for more information

## Starting The Machine and Suction Control - Figures 1, 2, 8, 9 & 10

Before turning on your canister, make sure that the vacuum handle is in its upright locked position (figure 8).

1. With the canister main power control knob (9) in the OFF position, and the power control slider on the handle (#2, figure 9) in the OFF position, pull the power cord out from the base of the canister (figure 1). The power cord should be unwound from the cable reel at least two thirds of its length. **Note:** do not over-extend the cord.
2. Plug the polarized power cord into a 120 volt wall outlet located near the floor.
3. Press the main power control knob (9) on the base of the canister gently with your foot or hand. The green light (10) will illuminate indicating that the power is on (figure 2).
4. Slide the Power Control Slider (#2, figure 9) toward the MAX position. It will move freely between 0 suction and MAX suction. Set the slider to the suction desired. Release the foot pedal (#41, figure 10) on the ET-1 power head.

## Operating The Machine - Figure 10

When the power head is on with the handle in the upright locked position (see figure 8 above), the brush roller will not spin.

To release the ET-1 power head from the upright locked position, press down on the foot pedal, (#41, figure 10) lower the handle into the normal operating position and push the button on the top of the power head (#40, figure 8) to engage the brush roller. The green light on the power head will illuminate.

The handle can be lowered to a horizontal position useful for vacuuming under beds.

You may adjust the suction control with the power control slider (2) as you vacuum different surfaces or when using the accessory tools. For optimal cleaning and brushing, operate the machine at the maximum suction power setting and push the power head slowly over the carpet.

When the canister's main power control knob is in the ON position, you may turn the power head off and on with the power control slider (2). To turn the power head off using the power control slider, pull the slider to 0 suction, then continue pulling the slider up until it "clicks" into the OFF position. The green power head light will then shut off (the green light on the canister (10) will remain illuminated until the vacuum is powered off using the main power control knob).

**Always turn the power off on both the canister and the power head when changing heads or unplugging the vacuum.** Slide the power control slider on the handle to its OFF position, press the power control knob on the base of the canister (9) gently with your foot or hand, then unplug the canister to completely shut down the power when changing heads or storing the vacuum.

To retract the cord, switch the vacuum off, unplug it from the outlet, then gently pull on the cord near the plug recess (22) and the mechanism will automatically rewind. Before rewinding the cable, always switch off and unplug the vacuum. Hold the plug while rewinding the cord onto the cord reel. Avoid letting the plug whip while rewinding.

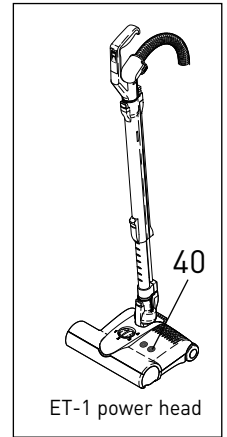


Figure 8

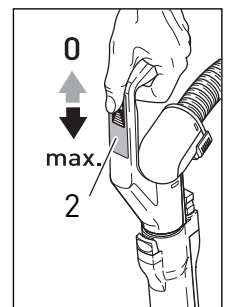


Figure 9

0 = Zero Suction  
MAX = Maximum Suction

ON position - Move the slider toward MAX.

OFF position - Pull the slider up to 0 suction then continue pulling the slider up until it "clicks" into the OFF position.

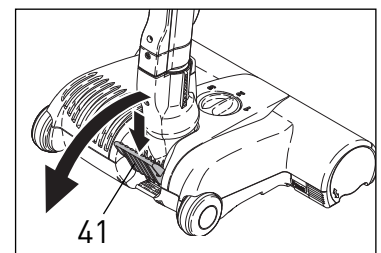


Figure 10

## Using the Telescopic Tube, Hose & Attachments - Figures 11 & 12

The telescopic tube (4) is useful for vacuuming corners and hard-to-reach areas. You may use the telescopic tube without a brush, power head or attachment. To remove a brush or power head, switch off the power control knob (9) and unplug the vacuum. Then, press the tool release button (7) and pull the tube out. The crevice nozzle (20) and dusting brush (28) may be inserted onto the end of the tube. To use the upholstery nozzle (11), fit it onto the end of the crevice nozzle (20). It is not necessary to turn off the vacuum while switching the **standard** attachments (the crevice nozzle, upholstery nozzle or dusting brush). After use, switch off the power, unplug the vacuum and remove attachment. Re-insert the telescopic tube into the power head or brush, turning the tube if needed, until you hear it click into place.

**NOTE! K3 users with ET-1 power head, please refer to your power head user's manual for more detailed instructions for connecting your power head.**

To use the hose without the telescopic tube, switch off the power and unplug the vacuum. Push the handle release button (3) and pull the HANDLE out of the end of the telescopic tube. Do not try to separate the hose from the handle! Insert the crevice nozzle (20) or dusting brush (28) onto the end of the handle. To use the upholstery nozzle (11), fit it onto the end of the crevice nozzle (20). After use, switch off the power, unplug the vacuum and remove the attachment. Re-insert the handle into the telescopic tube making sure it is seated correctly and snap it into place.

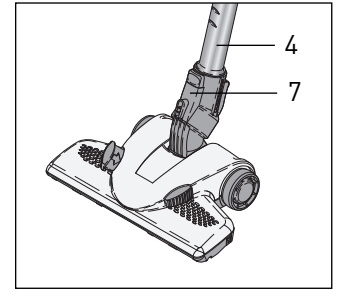


Figure 11

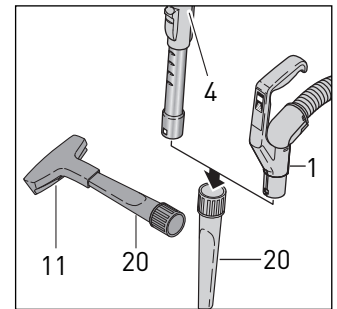


Figure 12

## USE AND MAINTENANCE OF BRUSHES AND HEADS

 **Always unplug vacuum from outlet before dismantling any part of machine!**

To remove a brush or power head, switch off the power and unplug the vacuum. Then, press the tool release button (7) and pull the tube out.

**NOTE! K3 users with the ET-1 power head, please refer to your power head user's manual for more detailed instructions for operating and maintaining your power head.**

### Parquet brush - Figure 13

The Parquet brush (29) is specially designed for use on hard surfaces. It is lightweight with soft bristles, so it glides gently over floors and provides easy maneuverability. Fibers and hair can be pulled out of the bristles manually, or vacuum the bristles with the telescopic tube.

### Kombi - Figure 14

The Kombi nozzle (30) is adjustable for carpet or hard floors. To set for carpet, slide the up arrow button (42) to the right until it clicks into place. The hard floor dusting brush will raise up allowing the head to move over the carpet. To set for hard floors, slide the down arrow button (43) to the left until it clicks into place. The brush will lower to gently sweep your floors. **The slider in Figure 14 is set in the position for hard floors.** The brush should be cleaned regularly. Remove the Kombi nozzle from the telescopic tube to clean. Fibers and hair can be pulled out of the bristles manually, or vacuum the bristles with the telescopic tube. The brush strip is removable for cleaning and replacement.

### Turbo Nozzle - Figure 15

The Turbo nozzle (31) has an air-driven rotating brush for gentle brushing of carpets. The Turbo nozzle can be adjusted for high and low pile carpet. To adjust the head for high pile carpet, push the slider button (44) to the right. For low pile carpet, push the slider button (44) to the left. **The slider in Figure 15 is set in the low pile position.** The rotating brush should be cleaned regularly. Remove the Turbo nozzle from the telescopic tube to clean. Remove fibers and hair from the brush manually.



Figure 13

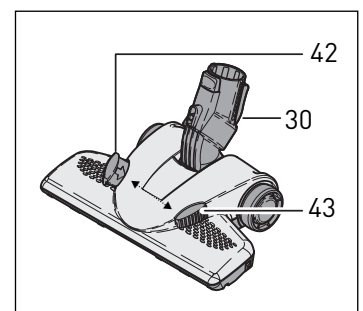


Figure 14

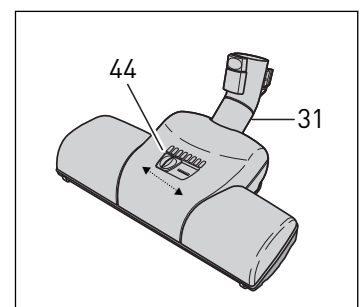


Figure 15

# VACUUM MAINTENANCE



**Always unplug vacuum from outlet before dismantling any part of machine!**

## Changing the Filter Bag - Figure 16

To change the filter bag (45), set the canister upright (as shown in figure 13), press the cover release catch (25) and lower the filter bag cover (26). Grasp the green filter bag sealing plate (46), slide the plate from the holder (48) and push the filter bag cap (47) on to seal the bag. Slide the sealing plate (46) of a new bag into the bag holder slots (48) and push it in firmly until it locks into place. Close the cover, making sure it snaps shut completely. You may find it convenient to store the bag cap inside the filter bag housing below the filter bag. Do not re-use the filter bags. Note: the nature of the contents of the filter bag will affect the point at which it needs changing. Fine dust may require an earlier change even though the bag is not full. Fluff or hair allows air to pass through easily, so the filter bag may overflow before the amber "bag full" light illuminates.

The "bag full or clog" light works correctly only at full power. At lower power levels, the "bag full or clog" light may illuminate incorrectly. Check the status of the filter bag regularly at full power.

## Changing the Exhaust Filter - Figure 17

The exhaust filter (51) needs to be changed when it becomes extremely dirty or clogged with dust, or after approximately 10 to 20 filter bags have been used. To change the exhaust filter, set the canister flat on the floor as shown in figure 17. Remove the printed cover on top of the machine (14) by lifting the catch (49) in the upholstery nozzle recess (see inset, figure 17). Pull out the filter using the handle (50) and fit the new filter into the same position. The filter handle should point toward the upholstery nozzle when it is folded down. Fit the tabs on the bottom of the cover (14) into the grooves and snap the cover down firmly.

## Changing the Micro-Hygiene Filter - Figures 16 & 18

After 10 to 20 bags have been used, change the micro-hygiene filter (52). To remove the micro-hygiene filter, set the canister upright (as shown in figure 16). Press the cover release catch (25) and lower the filter bag cover (26). Remove the filter bag, then remove the cover by sliding it up and out of the grooves (53). Pull the old filter out (52) and slide the new filter into the same position. Replace the filter bag, then re-insert the cover by fitting the tabs into the grooves (53) on both sides and sliding it in and down. Push the cover closed, making sure it snaps shut completely.

K Service Box - 8 Filter Bags, Exhaust Filter and Micro-Hygiene Filter Part #6695AM

## Changing the AIRBELT - Figure 19

If damage occurs to the AIRBELT cover, it will need to be replaced. To remove the AIRBELT (15), pry off the clip (55) by inserting the tip of a slot-head screwdriver under the bottom side of the clip. Push downward on the screwdriver until the clip pops off. Grasp the end of the AIRBELT cover and pull - the AIRBELT cover will peel off. The foam bumper (54) remains on the vacuum. To replace the AIRBELT, insert the side ribs of the AIRBELT into the grooves (56). Start at the back, insert rib into one groove (56), and while holding it down, stretch the AIRBELT cover around the foam (54) into the opposite groove (56). Continue around the vacuum. Secure the ends with the clip (55).

SEBO AIRBELT covers are available in a variety of colors and patterns. See your SEBO dealer for available selection.

**Note:** Never operate the vacuum with incorrectly attached filters or without filters, bag, AIRBELT or filter bag housing cover (26). Do not re-use filter bags. Do not wash and re-use filters.

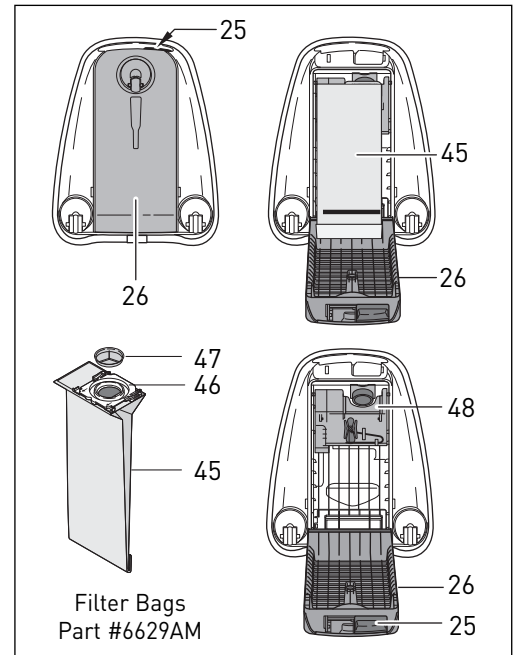


Figure 16

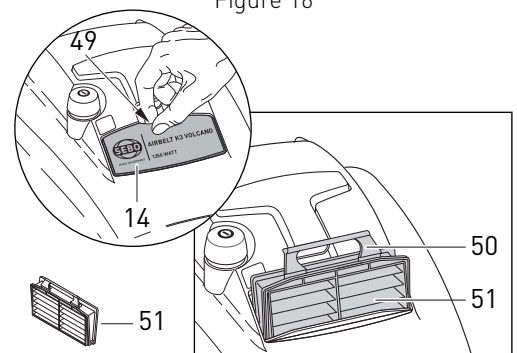


Figure 17

K Filter Set:  
Exhaust Filter  
and  
Micro-Hygiene  
Filter  
Part #6696AM

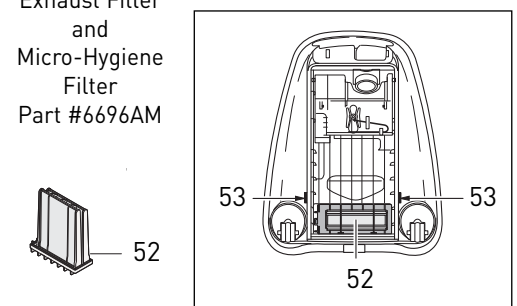
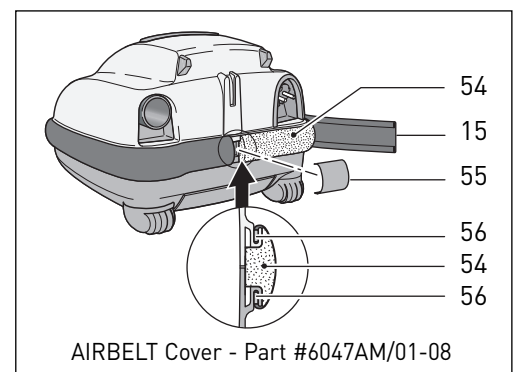


Figure 18



AIRBELT Cover - Part #6047AM/01-08

Figure 19

# CLOG REMOVAL



**Always unplug vacuum from outlet before removing any clogs!**

**NOTE!** K3 users with ET-1 power heads, please refer to your power head user's manual for more detailed instructions for removing clogs in your power head.

If the "bag full or clog" warning light (10) remains illuminated after the filter bag has been changed and the filters are in good condition, there is likely a clog in the system.

## Clogs in the Head or Brush - Figure 20

Clogs in the swivel neck (57) of a head or brush can be cleared by first pressing the tool release button (7) and removing the brush or head. Check inside the swivel neck channel (56), and clean out pathway.

## Clogs in the Telescopic Tube - Figure 20

Remove head from telescopic tube (4) by pushing the tool release button (7) and pulling the tube out. Remove the hose from the top of the telescopic tube by pushing the handle release button (3). A stiff wire or stick can be used to push the clog out of the tube.

## Clogs in the Hose - Figures 21, 22 & 23

Check for suction at the end of the hose (19). If you feel reduced suction, the blockage is in the hose. To clear blockages in the hose (13), remove the telescopic tube (4) by pushing the tool release button (7) and pulling the tube out. Hold the hose upright with one hand blocking the top and switch on the machine. If necessary, quickly lift your hand on and off the end of the hose. If that does not clear the clog, you may also clear clogs by reversing the hose. **K3:** After removing the telescopic tube, push the release button (18) on the hose neck (6) and remove the hose from the machine.

**K2:** After removing the telescopic tube, squeeze the tabs (37) on the retaining ring and pull the hose neck out.

Remove the hose handle (1) from the telescopic tube by pressing the handle release button (2). Insert the handle end of the hose (1) into the suction opening (17). Hold the hose upright with one hand blocking the top and switch on the machine. If necessary, quickly lift your hand on and off the end of the hose.

**Note:** Do not insert a wire or stick into the hose. Doing so may cause damage to the hose.

## Clogs in Entrance to Filter Bag - Figure 21

Remove hose (10) from vacuum cleaner (see figure 21), open the filter bag cover and remove the filter bag. (figure 16, page 9). Clean out entrance to bag (58).

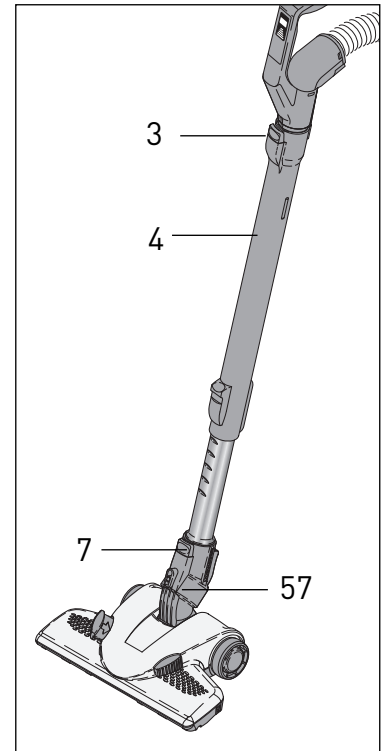
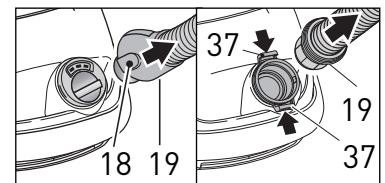


Figure 20



K3

Figure 21

K2

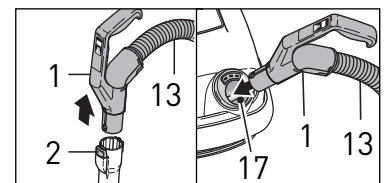


Figure 22

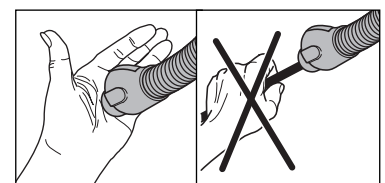


Figure 23

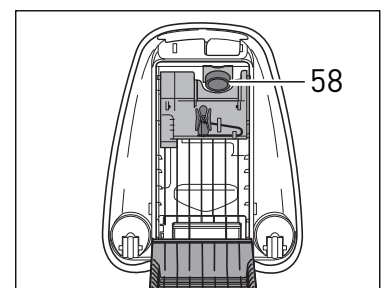


Figure 24

# TROUBLE-SHOOTING GUIDE



**Always unplug vacuum from outlet before dismantling any part of the machine!**

<b>PROBLEM</b>	<b>REASON</b>	<b>SOLUTION</b>
<b>Does not turn on</b>	1. Telescopic tube not inserted properly.	1. See page 7.
	2. Not plugged into working outlet.	2. Use another outlet.
	3. Cable worn.	3. Replace cable.
	4. K3: The power control slider switch is set to "0" ("off" position).	4. K3: Set slider switch to "on" position. See page 9.
<b>Bag full or clog light on Bag full or clog light on &amp; machine shuts off</b>	1. Bag full.	1. Replace filter bag. See page 11.
	2. Clog in hose, telescopic tube, brush or head, or entrance to filter bag.	2. See Clog Removal on page 12. K3 users with clog in power head attachment: refer to clog removal in the ET-1 owner's manual.
	3. Micro-hygiene filter dirty.	3. Replace micro-hygiene filter. See page 11.
	4. Exhaust filter dirty.	4. Replace exhaust filter. See page 11.
<b>Does not pick up</b>	1. Hose/handle assembly not correctly inserted.	1. Re-insert hose/handle assembly making sure that it is lined up properly and is snapped into place. See page 7.
	2. The suction control dial is rotated to no suction setting	2. K2: Rotate suction control dial to yellow setting. See page 8.
	3. Filter bag cover not closed.	3. See below.
<b>Filter bag door won't fully close</b>	1. Filter bag cover not fully closed.	1. Re-insert bag. Lock the cover down firmly.
	2. Bag not inserted properly	2. Re-insert bag. Lock the cover down firmly.
	3. Micro-hygiene filter not properly inserted.	3. Remove the filter bag cover (26) and make sure the micro-hygiene filter housing is seated firmly in place (see pg. 11, figure 18).

# AIRBELT K2 SCHEMATIC AND PARTS LIST

# 9679AM K2 - Midnight Blue  
 # 9696AM K2 - Hunter Green

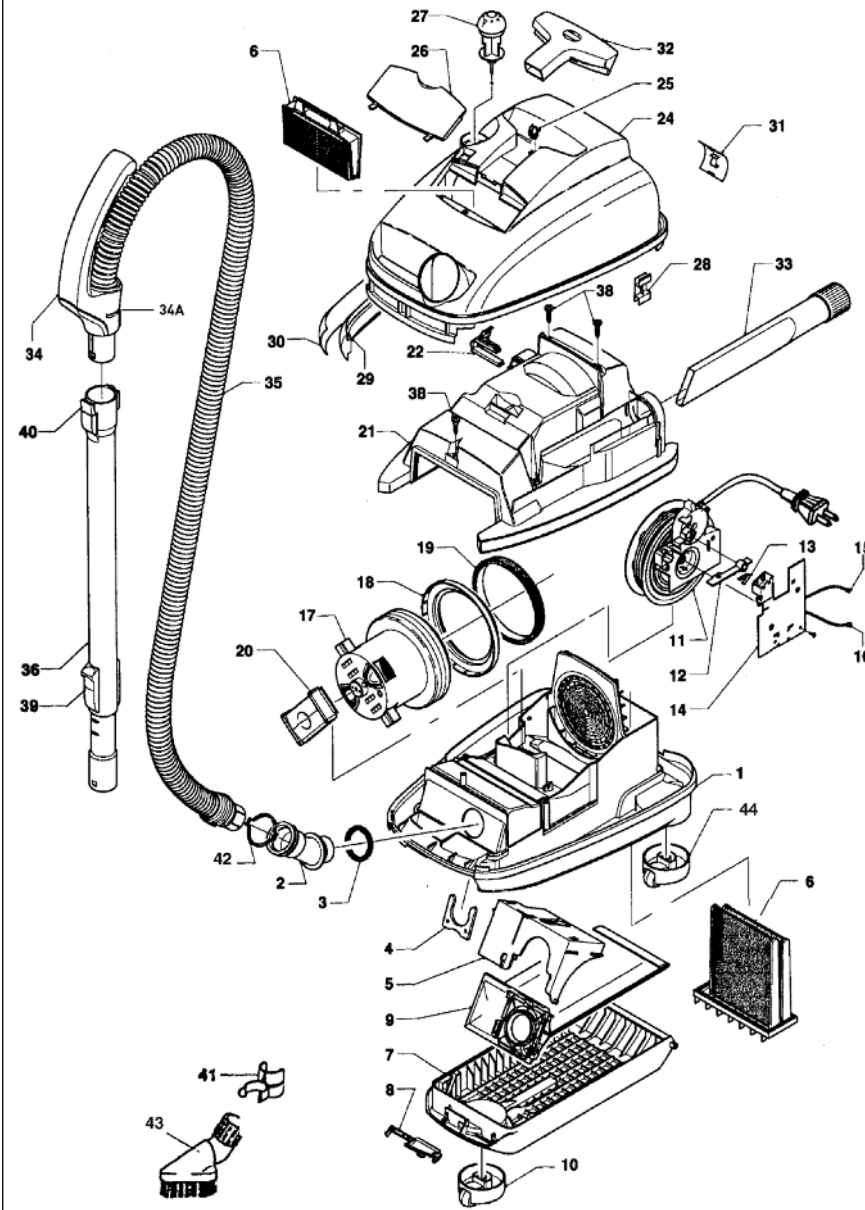
## Canister with Handle/Hose

### #9696AM K2 Hunter Green Machine

Pos.	Part #	Description
1	6754GS	Bottom casing w/castors (44)
2	6675GS	Suction neck - K2
3	6014	Seal
4	6042WS	Spring lock
5	6681HG	Bag holder, complete
6	6696AM	K Microfilter & Exhaust set
7	6756GS	Bag cover w/castor (10)
8	6607GS	Cover release
9	6629AM	Filter bag SEBO K
10	6752GS	Castor for bag cover
11	665603E	Cord reel w/lever & leaf spring (12&13)
12	6621	Switch lever w/leaf spring (13)
13	1739	Leaf spring
14	6641ER	Electronic controller K2 w/switch
15	6637	Internal cable w/thermal cut-off
16	6638	Internal cable - white
17	6631ER	120V vac motor
18	6634	Fan ring
19	6635	Seal
20	6636	Motor mounting
21	6679GS	Motor cover
22	6622GS	Plug surround
24	6680G2	Top casing - hunter green (25)
25	6625ER	Release button w/screw
26	6427K2	Exhaust filter cover - hunter green
27	60613LG	On/Off knob for K2 hunter green
28	6086HG	Casing clip
29	6623UL	Foam bumper - K
30	6047AM/08	AIRBELT textile-citrus (incl. pos. 31)
31	6048GS	AIRBELT clip
32	6627GS	Upholstery nozzle - K series
33	1092GS	Crevice nozzle
34	6300GS	Handle grip K2, cpl. (incl. pos. 34A)
34A	6303GS	Retaining ring
35	6447GS	7' hose w/couplings & handle K2 [34&34a]
36	6271GS	Telescoping Tube (39&40)
38	0105	Screw 3.9 x 19
39	6421GS	Slider button w/hardware
40	6420GS	Release button w/leaf spring & cap
41	6694GS	Clip for attachments
42	6612GS	Retaining ring
43	1387GS	Dusting brush
44	6751GS	Castor for bottom casing
45	6780ER	Turbo nozzle
46	6391DA	Parquet nozzle

### #9679AM K2 Midnight Blue Machine Exceptions

24	6680DB1	Top Casing, K2 midnight blue (25)
26	6424AM	Exhaust filter cover - midnight blue
27	60613GW	On/Off knob - K2 midnight blue
30	6047AM/01	AIRBELT textile - dark gray (incl. pos. 31)
37	7260GS	Kombi nozzle



Turbo Nozzle  
standard with  
K2 Hunter Green



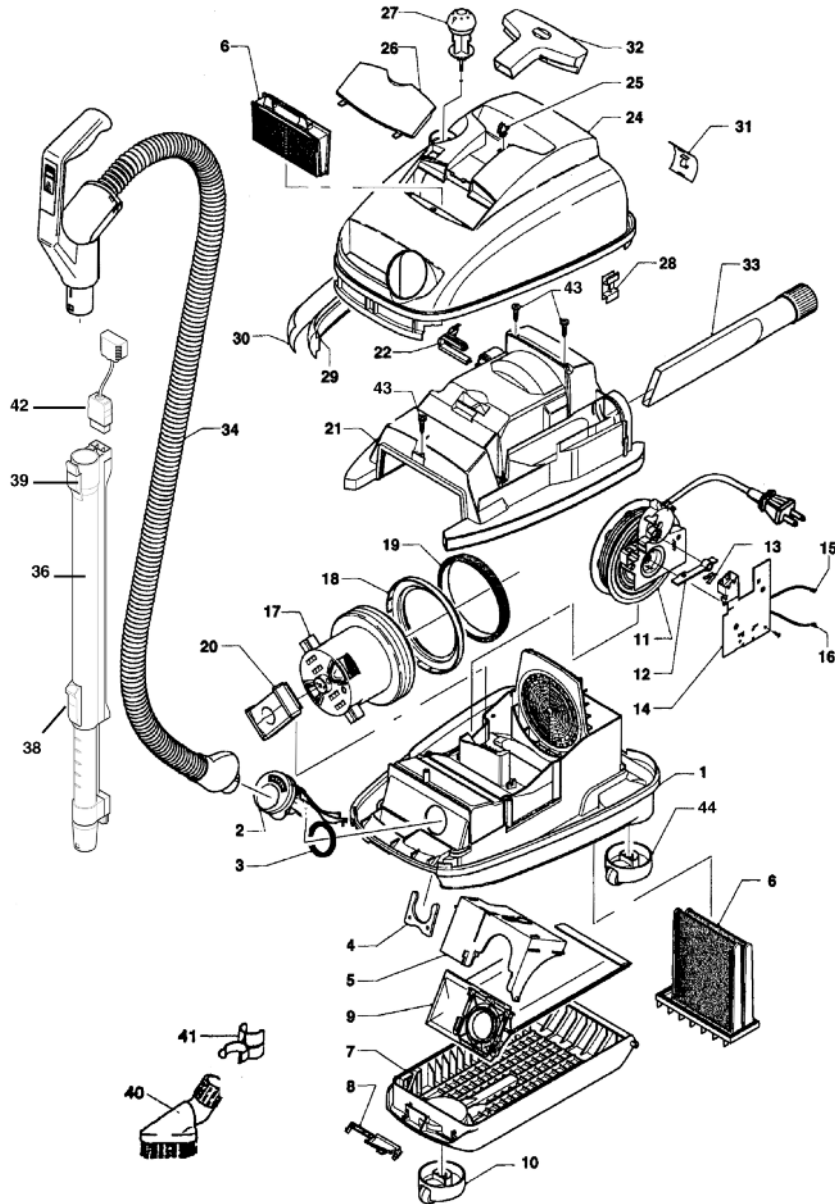
Parquet Brush  
standard with  
K2 Hunter Green



Kombi Nozzle  
standard with  
K2 Midnight Blue

# AIRBELT K3 SCHEMATIC AND PARTS LIST

#9687AM K3 - Red  
 #9689AM K3 - Volcano  
 #9688AM K3 - Onyx



Parquet Brush standard  
 with  
 K3 Red, Volcano and Onyx

## Canister with Handle/Hose

### #9687AM K3 Red Machine

Pos.	Part #	Description
1	6754GS	Bottom casing w/castors (44)
2	6677GS	Suction neck - K3
3	6014	Seal
4	6042WS	Spring lock
5	6681HG	Bag holder, cpl.
6	6696AM	K Microfilter & Exhaust set
7	6756GS	Bag cover w/castor (10)
8	6607GS	Cover release
9	6629AM	Filter bag SEBO K
10	6752GS	Castor for bag cover
11	665603E	Cord reel w/lever & leaf spring (12&13)
12	6621	Switch lever w/leaf spring (13)
13	1739	Leaf spring
14	6645ER	Electronic controller K3 w/switch
15	6637	Internal cable w/thermal cut-off
16	6638	Internal cable - white
17	6631ER	120V vac motor
18	6634	Fan ring
19	6635	Seal
20	6636	Motor mounting
21	6679GS	Motor cover
22	6622GS	Plug surround
24	6680DR1	Top casing K - red (25)
25	6625ER	Release button w/screw
26	6404K3	Exhaust filter cover - red
27	60666GW	On/Off knob for K3 red and black
28	6086HG	Casing clip
29	6623UL	Foam bumper - K
30	6047AM/01	AIRBELT textile - dark gray (incl. pos. 31)
31	6048GS	AIRBELT clip
32	6627GS	Upholstery nozzle - K Series
33	1092GS	Crevice nozzle
34	6349AM	7' hose w/couplings & handle K3
36	6270GS	Telescoping tube (38&39)
37	6391DA	Parquet brush
38	6421GS	Slider button w/hardware
39	6420GS	Release button w/leaf spring & cap
40	1387GS	Dusting Brush
41	6694GS	Clip for attachments
42	6369GS	Mains cable
43	0105	Screw 3.9 x 19
44	6751GS	Castor for bottom casing

### #9689AM K3 Volcano Machine Exceptions

24	6680V01	Top Casing, K - volcano (25)
26	6439AM	Exhaust filter cover - volcano
27	60666V0	On/Off knob for K3 volcano
30	6047AM/03	AIRBELT textile - volcano

### #9688AM K3 Onyx Machine Exceptions

24	6680SW1	Top Casing, K - black (25)
26	6622AM	Exhaust filter cover - black
30	6047AM/07	AIRBELT textile - silver/black (incl. pos. 31)

# SEBO VACUUM CLEANER WARRANTY

1. Your authorized SEBO dealer or SEBO will provide the original product purchaser with replacement of Non-Wear Parts which fail due to a material or workmanship defect for a period of five (5) years from the original date of purchase of new product. SEBO will provide a five (5) year warranty on suction motors and brush drive motors.
2. Your authorized SEBO dealer or SEBO will repair (or will cover labor charges associated with repair) a defective SEBO vacuum cleaner at no cost to the original purchaser, within five (5) years of original purchase of new product in the United States; and within one (1) year of original purchase of new product in Canada.
3. SEBO or an authorized SEBO dealer must complete all warranty repairs.
4. To locate an authorized SEBO dealer in your area, or to register a warranty claim in the **United States of America, please visit our website at [www.sebo.us](http://www.sebo.us).**
5. To locate an authorized SEBO dealer in your area, or to register a warranty claim in **Canada, please call Floor Care Equipment, Ltd. at (800) 661-8687.**
6. The warranties provided for above apply exclusively to SEBO Vacuum Cleaners which are used residentially. No warranty is provided for SEBO vacuum cleaners used commercially.
7. The Wear Parts excluded from warranty coverage include filter bags, micro-hygiene filters, exhaust filters, the cable (external cord), the attachment hose, the brush rollers, the front bottom plate, the rear bottom plate, the crevice nozzle, the upholstery nozzle, the dusting brush, the parquet brush and all of the optional attachments. (See "Identification of Parts" on page 5 of this manual).
8. This warranty applies only while your SEBO Vacuum Cleaner is physically located within the United States of America and its territories or Canada.
9. The purchase receipt showing the date, price, and item of purchase is the initial document of proof of purchase and determines the validity of warranty. To be certain that your warranty claim can be processed as quickly and efficiently as possible, please retain your original purchase receipt and mail in the warranty card provided with your new SEBO vacuum cleaner.
10. This warranty gives you specific legal rights. You may also have other legal rights, which vary from state/province to state/province.
11. SEBO America will not process nor will it accept responsibility for warranty claims for machines purchased from dealers located in Canada. Floor Care Equipment, Ltd. will not process nor will it accept responsibility for warranty claims for machines purchased from dealers located in the United States.

**EXCLUSIVE REMEDY:** The remedies provided under the terms of this Warranty are the purchaser's exclusive remedies and are in lieu of any other remedies otherwise available.

## THE WARRANTY DOES NOT COVER:

- Used or secondhand products.
- Products outside of the warranty period.
- Items not manufactured by SEBO.
- Normal maintenance service.
- Equipment damaged by improper use, accident, other casualty or negligence.
- Machines equipped with nonauthorized attachments or modifications.
- Machines on which the serial number has been altered or removed.

## LIMITATIONS AND EXCLUSIONS:

SEBO MAKES NO OTHER REPRESENTATIONS OR WARRANTIES, EXPRESSED OR IMPLIED AND SPECIFICALLY EXCLUDES THE IMPLIED WARRANTIES OF MERCHANTABILITY AND FITNESS FOR A PARTICULAR PURPOSE.

SEBO WILL NOT BE LIABLE FOR INCIDENTAL OR CONSEQUENTIAL DAMAGES OF ANY KIND OR NATURE.

THIS DISCLAIMER OF IMPLIED WARRANTIES SHALL NOT APPLY TO THE EXTENT SAID DISCLAIMER IS NOT ALLOWED BY APPLICABLE STATE/PROVINCIAL LAW.

## To contact SEBO in the United States of America:

SEBO America, LLC  
 Telephone: (800) 334-6614  
 Fax: (303) 792-9196  
 Website: [www.sebo.us](http://www.sebo.us)



## To contact SEBO in Canada:

Floor Care Equipment, Ltd.  
 Telephone: (800) 661-8687  
 Fax: (800) 270-4807  
 Website: [www.sebocanada.ca](http://www.sebocanada.ca)



MADE IN GERMANY