



Pro6 Duo

CE



**USER
MANUAL**

9. Troubleshooting

PROBLEM	CAUSE	SOLUTION
Boiler fails to heat up .	Device not plugged in. Button 3 and/or 4 not pressed. Boiler empty.	Plug into mains. Press button 3 & 4. Fill tank water.
Machine safely.	LED 6 off mode.	Switch off and on switch 4.
Yellow LED 5 on .	Low water level.	Fill tank water .
No steam or only water coming out.	Boiler not ready yet, green LED is blinking. Boiler is overfilled.	Wait for steady green LED. Too much distilled water.
The steam ready led is on but no steam comes out.	The monobloc socket is not completely closed. The steam regulator is completely closed.	Check the monobloc socket is correctly fitted to the appliance. Open the steam regulator.

10. Information for users

According to Directives 2011/65/EU and 2012/19/EU on the reduced use of hazardous substances in electrical and electronic equipment, and their disposal, the barred bin symbol means that at the end of its useful life the product must be disposed of separately from ordinary waste.

The user must therefore take such equipment to proper collection centres for electrical and electronic waste, or take it back to the dealer when he buys some equivalent equipment, in the ratio of 1:1.

A suitably differentiated waste collection, followed by recycling, treatment and environmentally friendly disposal helps prevent negative effects on health and the environment and favours the recycling of materials.

Any unauthorized equipment disposal by the user will be subject to sanctions as provided for by current local regulations.



Then proceed as follows:

- Empty the boiler by unscrewing the drain plug located under the machine. Caution: only unscrew the plug when the appliance is cold and completely discharged of steam.
- Refit the drain plug.
- Fill the tank with approx. 2 litres of water and add an normal antiscald product in the recommended quantity, then re fit the plug.
- Turn on the main switch and the steam switch.
- Wait for the green light to come on.
- Turn off the switch (4) immediately and completely discharge the remaining steam by means of the trigger on the handle.
- Allow the appliance to cool for a few hours.
- Empty the appliance and rinse the tank with clean water at least twice. If using a water-vinegar solution, leave the appliance for a few hours or over night before emptying it, then rinse thoroughly and repeatedly.

8. Technical specifications

Generator			
Power supply	120V-60Hz		
Boiler power	1750W		
Tank capacity	2 l		
Steam pressure	6 bar/600 kPa		
Steam temperature	155°C		
Max. power	1800W		
Boiler internal capacity	1,8 l		

Composition

Casing in stainless steel
Boiler in stainless steel
Pressure switch set to 6 Bar
Steam outlet control solenoid valve
Siliconed electrical wires

Safety

Temperature safety thermostat
Safety valve
Extra low voltage on the handle



Read carefully these instructions before using the machine.

Index

1 Description of appliance	page 2
2 Description of accessories	page 4
3 Precautions for use	page 5
4 Getting started	page 6
5 Practical use of the accessories	page 6
6 Continuous refilling	page 7
7 Maintenance	page 7
8 Technical specifications	page 8
9 Troubleshooting	page 9
10 Disposal	page 9

1. Description of the Pro6 Duo



Cleaning walls and ceiling

Connect the extension tubes when necessary and fit the brush equipped with bristle cover and dry rag.

Extension tubes (11)

With these accessories, combined with the flexible tube, it is possible to clean floors, in combination with the brushes and with the other accessories, on high or hard to reach surfaces, cupboards, doors, stairs, etc. Caution: after several minutes use, these accessories can scald, therefore it is advisable to wait a few minutes before detaching them.

Triangular brush (12)

The same use as the rectangular brush, where the use of the latter is inconvenient.

One/Three hole nozzle (13-14-20)

This accessory can be used individually, or in combination with the brushes 16 and 17 which fit on the accessory. It is used for cleaning all those areas that cannot be reached with other accessories.

This accessory is particularly recommended for removing dirt and grease from:

- joints on work surfaces, joint grooves or cracks
- oven hoods or glass
- steel or enamelled sinks
- wash-basins, bathtubs, bidets, WCs, showers, taps
- doors, windows and stairs

Window cleaner (15)

This accessory is useful for cleaning windows or smooth surfaces such as bathroom tiles, shower panels, etc.

Small triangular brush (19) (use with 3 Hole Nozzle)

Use to get into corners. Attach the 3 hole nozzle to the hose handle and then the brush to the nozzle. Set the steam dial to medium pressure for stovetops, kitchen countertops, kitchen or bathroom sinks, dishwasher interior, fiberglass bathtubs, and glass shower doors. You can spray a natural cleaner of your choice on the surface to be cleaned if the area is extremely dirty. The steam will enhance the cleaning power of the steam.

6. Continuous filling

This appliance is equipped with continuous filling. In fact, if the water finishes, the boiler can be filled without switching the appliance off and waiting for it to cool. To refill, proceed as follows: simply remove the tank cap and add water, close the cap and resume cleaning work.

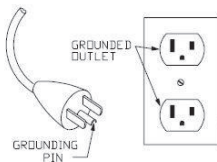
7. Maintenance

IMPORTANT! Before carrying out any type of maintenance, turn the machine off and disconnect from the mains.

As the appliance works with tap water, regular antiscaling treatment is necessary to ensure its long life and efficient operation. The frequency of treatment depends on the type of water and the length of use. With water of average hardness (10°-15°) and normal; domestic use, antiscaling treatment is recommended at least every three months.

Grounding instructions

This appliance must be grounded. If it should malfunction or breakdown, grounding provides a path of least resistance for electric current to reduce the risk of electric shock. This appliance is equipped with a cord having an equipment-grounding conductor and grounding plug. The plug must be inserted into an appropriate outlet that is properly installed and grounded in accordance with all local codes and ordinances.



WARNING – Improper connection of the equipment-grounding conductor can result in a risk of electric shock. Check with a qualified electrician or service person if you are in doubt as to whether the outlet is properly grounded. Do not modify the plug provided with the appliance – if it will not fit the outlet, have a proper outlet installed by a qualified electrician.

This appliance is for use on a nominal 120-volt circuit and has a grounding attachment plug that looks like the plug illustrated the Figure. Make sure that the appliance is connected to an outlet having the same configuration as the plug. No adaptor should be used with this appliance.

SAVE THESE INSTRUCTIONS

4. Getting started

Remove the tank cap (1), and fill the tank with approx. 2 litres of tap water. Distilled water can also be used only by adding one to two glasses of tap water. Refit the cap and connect the power cable to the electrical socket.

Turn the appliance on by pressing the switch (3); just after (4).

The appliance starts to get hot with the green light (6) flashing. The appliance is ready to use as soon as the green becomes solid. During use the green light will flash periodically and this is normal.

Open the door of the monobloc socket (9) and connect the grip unit plug. Make sure to correctly fit the plug.

After connecting the plug, press the trigger (G1) on the handle to deliver steam.

Attention! In the event of sudden power failure or accidental disconnection of the plug from the mains, the unit switches to safety mode (indicator E off). To restore the normal conditions of use disable and re-enable the switch B.

5. Use of the accessories

All the accessories are fitted in the same way.

Fit the required accessory on the gun of the flexible tube.

Caution! Make sure to work initially with a weak jet of steam and increase the intensity of steam according to needs, by operating the knob (8).

Rectangular brush (10)

Used to clean hard floors, or for cleaning floors or surfaces in wooden, parquet, carpets and mats. For cleaning delicate floors, it is advisable to wrap the brush with the cloth supplied or a rag, fixing it to the brush with the handy clips.

To clean carpets and mats, it is advisable to insert the bristle cover accessory for sliding on the surfaces to be treated without ruining the fibres; spray the steam carefully with a weak jet, then clean with the brush wrapped with the rag.

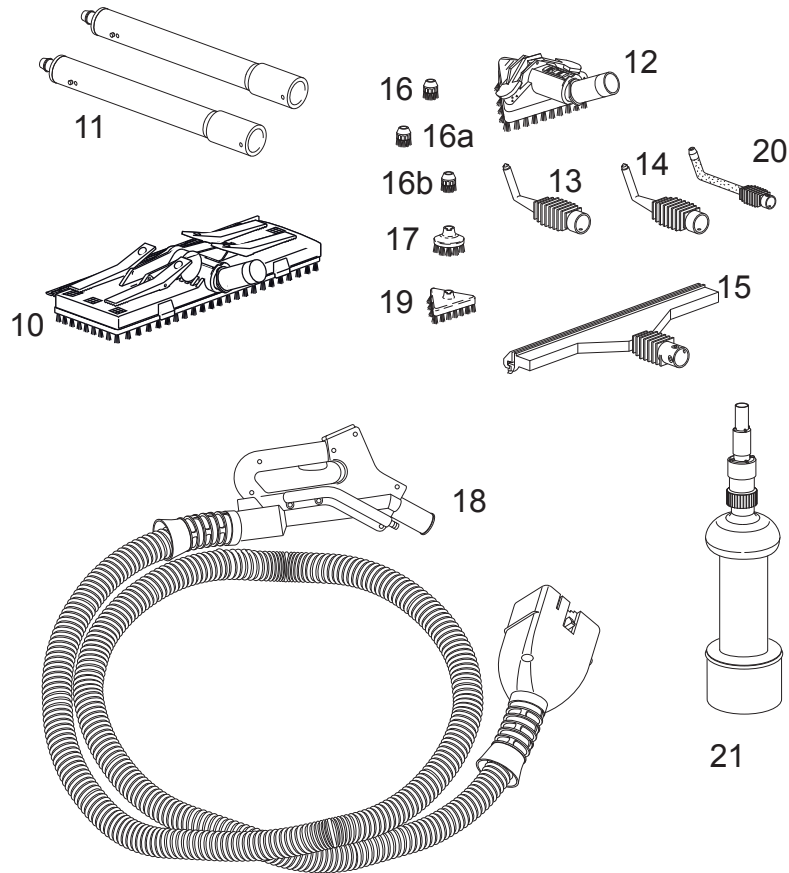
For stubborn dirt or residuals of previously used detergents, several treatments will be necessary in order to obtain a satisfactory and even result.

For the subsequent treatment, repeat the procedure using a dry rag wrapped on the brush.

APPLIANCE	GRIP/HANDLE FUNCTIONS
1 Tank cap 2 Carry handle 8 Steam adjustment knob 9 Monobloc socket **Control Panel 3 ON/OFF Switch 4 Iron or boiler ON/OFF Switch 5 LowWater Boiler LED 6 Boiler Ready LED 7 Pressure Gauge	G1. Steam output button



2. Description of Accessories



- | | | | |
|----|--------------------------------------|-----|-------------------------------------|
| 10 | Rectangular brush with bristle cover | 16a | Small round brush (brass) |
| 11 | Extension tubes | 16b | Small round brush (stainless steel) |
| 12 | Triangular brush | 17 | Round brush |
| 13 | One hole nozzle | 18 | Grip unit |
| 14 | Three holes nozzle | 19 | Small triangular brush |
| 15 | Window cleaner | 20 | One hole nozzle L=250 mm |
| 16 | Small round brush (nylon) | 21 | Dosing bottle |

Important: some of the described accessories may not be included in the pack, if optional.

3. Important Safety Instructions

- Carefully read the instructions contained in this handbook because they provide important information concerning use and maintenance.
- After removing the packing, check the good condition of the generator, paying attention to the generator casing.
- Dispose of the packing plastic bags, as children could use them for their games and be suffocated.
- In case of doubt, do not use the appliance; contact qualified personnel.
- Before connecting the appliance, make sure the machine is only plugged into a standard US electrical outlet.
In case of incompatibility between the socket and the generator plug, do not remove the ground plug from the electrical cord. Use an adapter designed for the purpose of using with outdated electrical outlets without ground receptacles.
- In general it is inadvisable to use adapters, multiple sockets and/or extensions: whenever their use is indispensable, only use single adapters or multiple adapters and extensions complying with current safety standards.
- Do not use the product if the cord or plug are damaged. Do not use the product after any anomalous functioning. In this case, switch it off, without tampering with it. For possible cable replacement or repair, see an Authorized Technical Assistance Centre.
- If the machine is dropped or tips over, immediately switch it off and disconnect the power plug.
- This generator must only be used for the purpose for which it is expressly designed, i.e. for household cleaning. Any other use is deemed improper and therefore dangerous. The manufacturer cannot be held responsible for any damage due to improper, correct or unreasonable use.
- Do not use the appliance in the presence of explosives, highly flammable substances, gas or flames.
- Never leave the generator unattended in the presence of children.
- Do not let children or incompetent persons use the appliance unless adequately supervised.
- Disconnect the plug from the socket when the appliance is not being used, before filling or emptying the tank or before any cleaning or maintenance operation.
- When deciding to no longer use this appliance, make sure to render it unusable. After removing the plug from the socket, cut off the power cord! Also make sure to render harmless all those parts that could constitute a potential danger, especially for children, who could use the unserviceable appliance for their games.



WARNING! Danger of scalding. Never direct the hot steam jet at persons, animals, power outlets, electrical appliances or for cleaning the appliance.