

OWNER'S MANUAL

AIR CONDITIONER

Please read this manual carefully before operating your set and retain it for future reference.

TYPE : WINDOW

MODELS LW8016ER



P/NO : MFL69365401

www.lg.com

TABLE OF CONTENTS

Safety Precautions.....	3
Before Operation	7
Introduction	8
Safety	9
Installation	11
Operating Instructions.....	16
Maintenance and Service	20



FOR YOUR RECORDS

Write the model and serial numbers here:

Model #

Serial #

You can find them on a label on the side of each unit.

Dealer's Name

Date Purchased

■ Staple your receipt to this page in the event you need it to prove date of purchase or for warranty issues.



READ THIS MANUAL

Inside you will find many helpful hints on how to use and maintain your air conditioner properly. Just a little preventive care on your part can save you a great deal of time and money over the life of your air conditioner.

You'll find many answers to common problems in the chart of troubleshooting tips. If you review our chart of

Troubleshooting Tips first, you may not need to call for service at all.



PRECAUTION

- Contact the authorized service technician for repair or maintenance of this unit.
- The air conditioner is not intended for use by young children or invalids without supervision.
- Young children should be supervised to ensure that they do not play with the air conditioner.
- When the power cord is to be replaced, replacement work shall be performed by authorized personnel only using only genuine replacement parts.
- Installation work must be performed in accordance with the National Electric Code by qualified and authorized personnel only.



Safety Precautions



To prevent injury to the user or other people and property damage, the following instructions must be followed.

■ Incorrect operation due to ignoring instruction will cause harm or damage. The seriousness is classified by the following indications.

⚠ WARNING This symbol indicates the possibility of death or serious injury.

⚠ CAUTION This symbol indicates the possibility of injury or damage to properties only.

■ Meanings of symbols used in this manual are as shown below.

	Be sure not to do.
	Be sure to follow the instruction.

⚠ WARNING

■ Installation

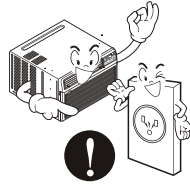
Don't use a power cord, a plug, or a loose socket which is damaged.

- Otherwise, it may cause a fire or electrical shock.



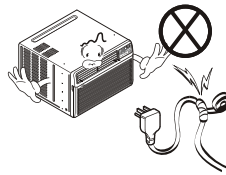
Always plug into a grounded outlet.

- Otherwise, it may cause a fire or electrical shock.



Do not modify or extend the power cord length.

- It will cause electric shock or fire due to heat generation.



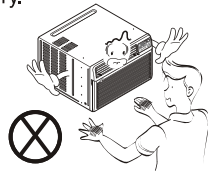
Do not disassemble or modify products.

- It may cause failure and electric shock.



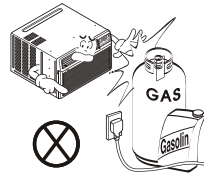
Be caution when unpacking and installing.

- Sharp edges may cause injury.



Do not store flammables like gasoline, benzene, thinner, etc. near the air conditioner.

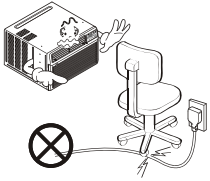
- It may cause explosion or fire.



■ Operation

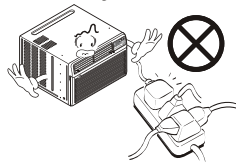
Do not place heavy object on the power cord and take care so that the cord should not be pressed.

- There is danger of fire or electric shock.



Do not share the outlet with other appliances.

- It will cause electric shock or fire due to heat generation.



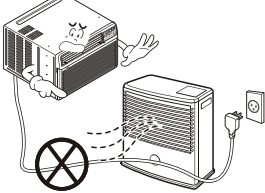
Take the power plug out if necessary, holding the head of the plug and do not touch it with wet hands.

- Otherwise, it may cause a fire or electrical shock.



Do not place the power cord near a heater.

- It may cause fire and electric shock.



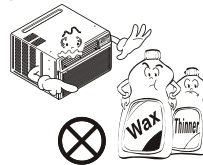
Do not allow water to run into electric parts.

- It will cause failure of machine or electric shock.



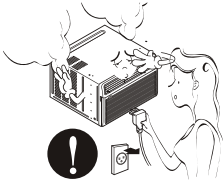
Use a soft cloth to clean. Do not use wax, thinner, or a strong detergent.

- The appearance of the air conditioner may deteriorate, change color, or develop surface flaws.



Unplug the unit if strange sounds, odors, or smoke come from it.

- Otherwise it may cause fire and electric shock accident.



Do not open the suction inlet grill of the product during operation.

- Otherwise, it may electrical shock and failure.

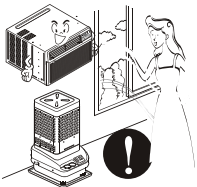


If water enters the product, turn off the the power switch of the main body of appliance. Contact service center after taking the power-plug out from the socket.



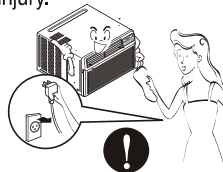
No correlation between fan usage and oxygen depletion.

- An oxygen shortage may occur.



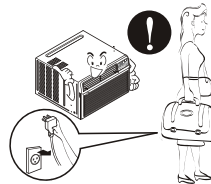
Turn off the power and breaker first when cleansing the unit.

- Since the fan rotates at high speed during operation, it may cause injury.



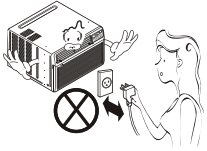
Unplug the unit when not using it for a long time.

- Prevent accidental startup and the possibility of injury.



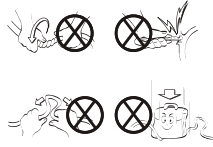
Do not operate or stop the unit by inserting or pulling out the power plug.

- It will cause electric shock or fire due to heat generation.



Do not damage or use an unspecified power cord.

- It will cause electric shock or fire.



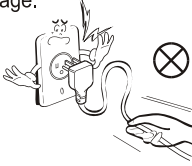
Do not operate with wet hands or in damp environment.

- It will cause electric shock.



Hold the plug by the head (not the cable) when taking it out.

- It may cause electric shock and damage.



When gas leaks, open the window for ventilation before operating the unit.

- Otherwise, it may cause explosion, and a fire.



Never touch the metal parts of the unit when removing the filter.

- They are sharp and may cause injury.



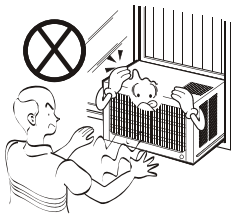
For inner cleaning, contact an Authorized Service Center or a dealer.
Do not use harsh detergent that causes corrosion or damage on the unit.
Harsh detergent may also cause failure of product, fire, or electric shock.

CAUTION

Installation

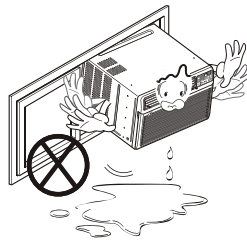
Install the product so the exhaust and noise are not aimed directly at the neighbors.

- Be considerate.



Follow installation instructions exactly.

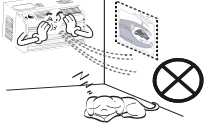
- Otherwise, it may cause vibration or water leakage.



■ Operation

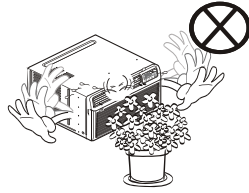
Do not use this appliance for special purposes such as cooling pets, foods, precision machinery, or objects of art

- It is an air conditioner, not a precision refrigeration system.



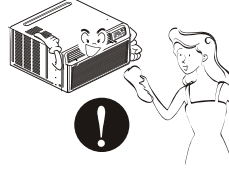
Do not block the inlet or outlet of air flow.

- It may cause product failure.



Use a soft cloth to clean. Do not use wax, thinner, or a strong detergent.

- The appearance of the air conditioner may deteriorate, change color, or develop surface flaws.



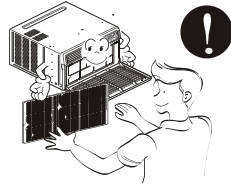
Do not step on the indoor/outdoor unit and do not put anything on it.

- It may cause an injury through dropping of the unit or falling down.



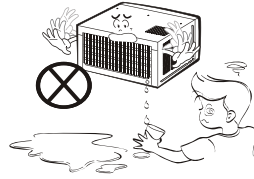
Always insert the filter securely. Clean it every two weeks.

- Operation without filters will cause failure.



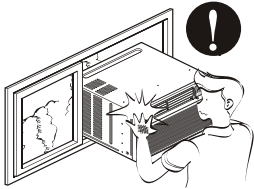
Do not drink water drained from air conditioner.

- It contains contaminants and will make you sick.



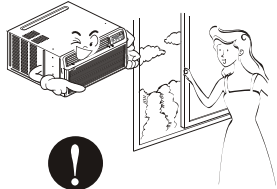
Be cautious not to touch the sharp edges when installing.

- It may cause injury.



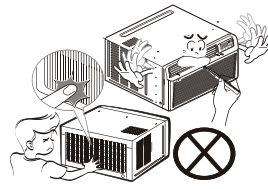
Instead of running air conditioning constantly, open a window for fresh air occasionally.

- You will feel better.



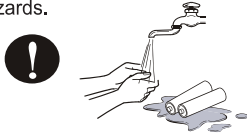
Do not insert the hands or bars through the air inlet or outlet during operation.

- Otherwise, it may cause personal injury.



If the liquid from the battery gets onto your skin or clothes, wash it well with clean water. Do not use the remote if the battery has leaked.

- The chemicals in battery could cause burns or other health hazards.



If you eat the liquid from the battery, brush your teeth and see doctor. Do not use the remote if the battery have leaked.

- The chemicals in battery could cause burns or other health hazards.



Before Operation

ENGLISH

Preparing for Operation

1. Contact an installation specialist for installation.
2. Plug in the power plug properly.
3. Use a dedicated circuit.
4. Do not use an extension cord.
5. Do not start/stop operation by plugging/unplugging the power cord.
6. If the cord/plug is damaged, replace it with only an authorized replacement part.

Usage

1. Being exposed to direct airflow for an extended period of time could be hazardous to your health.
2. No correlation between fan usage and oxygen depletion.
3. Do not use this air conditioner for non-specified special purposes (e.g. preserving precision devices, food, pets, plants, and art objects). Such usage could damage the items.

Cleaning and Maintenance

1. Do not touch the metal parts of the unit when removing the filter. Injuries can occur when handling sharp metal edges.
2. Do not use water to clean inside the air conditioner. Exposure to water can destroy the insulation, leading to possible electric shock.
3. When cleaning the unit, first make sure that the power and breaker are turned off. The fan rotates at a very high speed during operation. There is a possibility of injury if the unit's power is accidentally triggered on while cleaning inner parts of the unit.

Service

For repair and maintenance, contact an Authorized Service Center. See the warranty page for details or call (800) 243-0000. Have your model number and serial number available. They should be written on page 2 of this manual.

Introduction

Symbols Used in this Manual



This symbol alerts you to the risk of electric shock.



This symbol alerts you to hazards that could cause harm to the air conditioner.

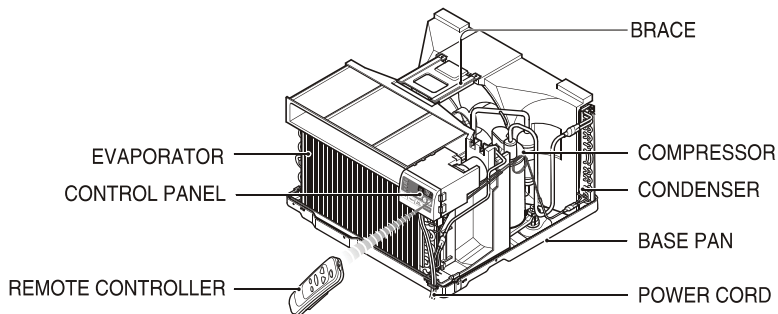
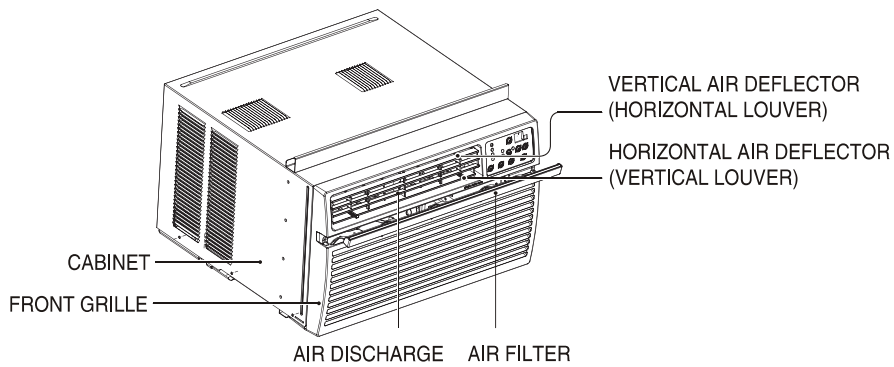
NOTICE

This symbol indicates special notes.

Features

⚠ WARNING

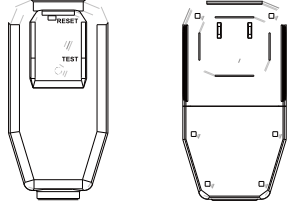
This appliance should be installed in accordance with the National Electric Code.




Safety

Electrical Data

ENGLISH

115V~	<p>Power cord may include a current interrupter device. A test and reset button is provided on the plug case. The device should be tested on a periodic basis by first pressing the TEST button and then the RESET button. If the TEST button does not trip or if the RESET button will not stay engaged, discontinue use of the air conditioner and contact a qualified service technician.</p>
	

NOTICE

Use Wall Receptacle	Power Supply
 <p>Standard 125V, 3-wire grounding receptacle rated 15A, 125V AC</p>	<p>Use 15 AMP, time delay fuse or 15 AMP, circuit breaker.</p>

⚠ WARNING

Never push the test button during operation
Otherwise this plug can damaged.
 Do not remove, modify, or immerse this plug.
 If this device trips, the cause should be corrected before further use.

⚠ WARNING

USE OF EXTENSION CORDS
RISK OF FIRE could cause serious injury or death
DO NOT use an extension cord with this window air conditioner
DO NOT use surge protectors or multi-outlet adapters with this window air conditioner

⚠ CAUTION

The conductors inside this cord are surrounded by shields, which monitor leakage current. These shields are not grounded. Periodically examine the cord for any damage. Do not use this product in the event the shields become exposed. Avoid shock hazard. This unit cannot be user-serviced. Do NOT open the tamper-resistant sealed portion. All warranties and performance will be voided. This unit is not intended to be used as an ON/OFF switch.

Safety

IMPORTANT (PLEASE READ CAREFULLY)

**FOR THE USER'S PERSONAL SAFETY, THIS
APPLIANCE MUST BE PROPERLY GROUNDED**

The power cord of this appliance is equipped with a three-prong (grounding) plug. Use this with a standard three-slot (grounding) wall power outlet to minimize the hazard of electric shock. The customer should have the wall receptacle and circuit checked by a qualified electrician to make sure the receptacle is properly grounded.

**DO NOT CUT OR REMOVE THE THIRD (GROUND)
PRONG FROM THE POWER PLUG.**

A. SITUATIONS WHEN THE APPLIANCE WILL BE DISCONNECTED OCCASIONALLY

Because of potential safety hazards, we strongly discourage the use of an adapter plug. However, if you wish to use an adapter, a TEMPORARY CONNECTION may be made. Use UL-listed adapter, available from most local hardware stores.

The large slot in the adapter must be aligned with the large slot in the receptacle to assure a proper polarity connection.

⚠ CAUTION

Attaching the adapter ground terminal to the wall receptacle cover screw does not ground the appliance unless the cover screw is metal, and not insulated, and the wall receptacle is grounded through the house wiring. The customer should have the circuit checked by a qualified electrician to make sure the receptacle is properly grounded.

Disconnect the power cord from the adapter, using one hand on each. Otherwise, the adapter ground terminal might break. DO NOT USE the appliance with a broken adapter plug.

B. SITUATIONS WHEN THE APPLIANCE WILL BE DISCONNECTED OFTEN.

Do not use an adapter plug in these situations. Unplugging the power cord frequently can lead to an eventual breakage of the ground terminal. The wall power outlet should be replaced by a three-slot (grounding) outlet instead.

⚠ WARNING

1. Do not use means to accelerate the defrosting process or to clean, other than those recommended by the manufacturer
2. The appliance shall be stored in a room without continuously operating ignition sources (for example: open flames, an operating gas appliance or an operating electric heater)
3. Do not pierce or burn. Be aware that refrigerants may not contain an odor

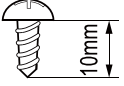
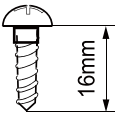
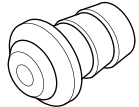
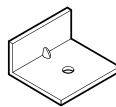
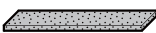

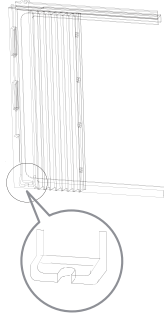
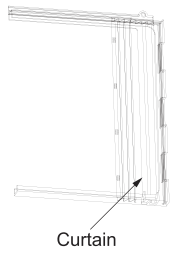
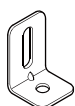
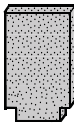
⚠ CAUTION

This unit contains flammable refrigerant and has special safety precautions not normally associated with older units. Please follow all precautions and advisories.

1. Use caution while handling and prevent damage to unit. Do not put any holes into product for any reason, this can cause damage to product and prevent unit from cooling.
2. Maintenance and cleaning of unit should be performed by trained personnel. Failure to properly clean unit can result in damage to the refrigeration system and or the electrical system.
3. Make certain that all the air circulation/ventilation openings are free from obstruction.
4. Service should only be performed by technicians properly trained and certified in the use of flammable refrigerants. Any service performed by unauthorized servicers/individuals will void all warranties.
5. When storing the appliance, do not put in a room with any open flame appliances, such as gas water heaters or furnaces. Also keep away from electric heaters. Damaged units should be repaired before storage.

Installation

ENGLISH

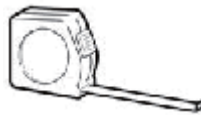
Type A: 11 EA (Short Screw)	Type B: 5 EA (Wood Screw)	Type C: 1 EA (Drain Joint Pipe +Drain Washer)	Type D: 3 EA (L Bracket)
			
Type E: 2 EA (Seal Strip)	Type F: 1 EA (Sash Seal)	Type G: 2 EA (Guide Panel)	
(Adhesive backed) 	(Not adhesive backed) 	<div style="display: flex; justify-content: space-around;"> <div style="text-align: center;"> Left Guide Panel  </div> <div style="text-align: center;"> Right Guide Panel  </div> </div>	
Type H: 1 EA (Support Bracket)	FOAM-HEATPROOF (Adhesive backed) 2 EA		
			

Have the following tools available for installation:

* Phillips head screwdriver



* Ruler



* Scissors or knife



* Level



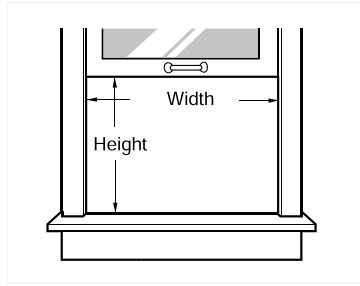
* Pencil



Window Requirements

Size

This room air conditioner is designed for installation in standard double-hung windows with actual opening widths (refer to below table). The upper and lower window sash must open sufficiently to allow a clear vertical opening of height from the bottom of the upper sash to the window stool.



Model	Width (inches)	Height Min (inches)
LW8016ER	22-36	13



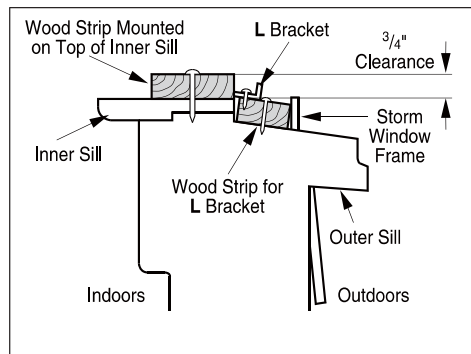
WARNING: This product is a WINDOW AIR CONDITIONER. As such, a standard single-hung or double-hung window is required for proper installation. Non-window installations, including using sleeves, holes in walls, and other installations are not recommended.

Clearance

Proper clearance enhances the cooling efficiency of the unit.

1. If a storm window presents interference, fasten a 2" wide wood strip to the inner window sill across the full width of the sill. The wood strip should be thick enough to raise the height of the window sill so that the unit can be installed without interference by the storm window frame.
2. See drawing. The top of the wood strip should be approximately $\frac{3}{4}$ " higher than the storm window frame or wood strip (Outdoors) to help condensation to drain properly to the outside.
3. Install a second wood strip (same thickness as first strip) in the center of the sill flush against the back off the inner sill.

This will raise the L bracket (Type D) as shown in the drawing.

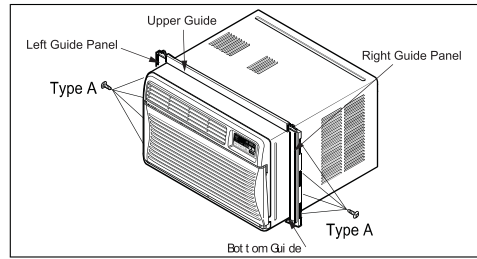


Preparation of Chassis

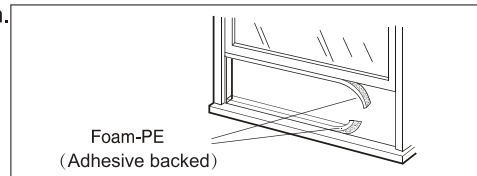
ENGLISH

1. Insert the guide panels (Type G) into the upper and bottom guide. Fasten the curtains to the unit with 4 screws (Type A) on each side.

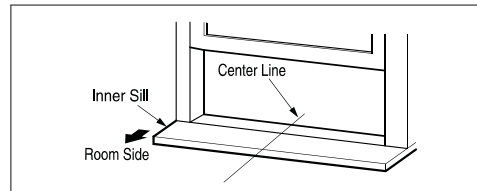
Tip! Use a long screwdriver and installing the screws will be easier.



2. Cut the window sash seals to the proper length. Peel off the backing and attach the Foam-PE (Adhesive backed) to the underside of the window sash and bottom of window frame.



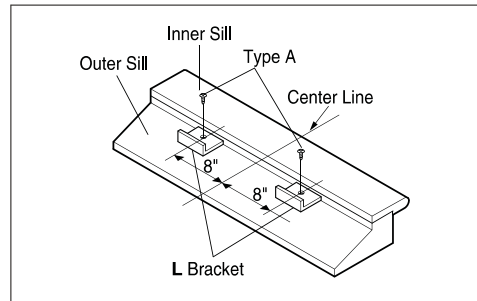
3. Open the window and mark center line on the center of the inner sill.



4. Attach L bracket (Type D)

- 4-1. Install the L brackets behind the inner window sill, with short side of bracket as shown. Use the 2 screws (Type A) provided.

- 4-2. The bracket helps to hold unit securely in place. Be sure to place bracket edge flush against back of inner sill.

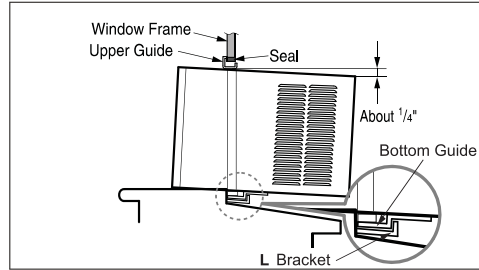


Unit Installation

⚠ Caution: During the following step, hold unit firmly until window sash is lowered to top channel behind side panel frames. Personal injury or property damage may result if unit falls from window.

1. Install the air conditioner in the window

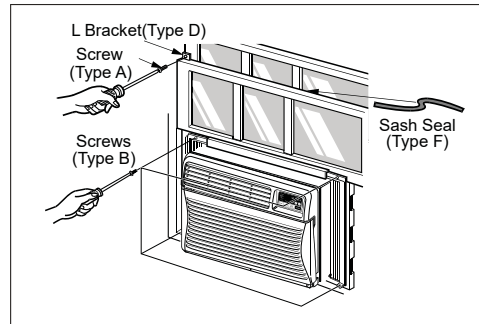
1-1. Set the air conditioner in the window so that it is centered. Place the air conditioner so that front edge of the bottom guide is against the back edge of the sill.



1-2. Bring the window down so that the front edge of the upper guide is in front of the window. Make sure that air conditioner is level or tilting slightly to the outside.

2. Secure the guide panels (Type G)

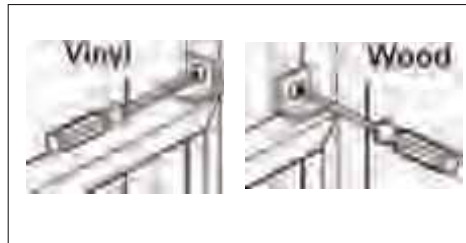
Extend the guide panels (Type G) to fill the window opening using 4 screws (Type B) to secure them.



3. Install the sash seal and sash lock

3-1. Cut the sash seal (Type F) to the window width. Stuff the sash seal between the glass and the window to prevent air and insects from getting into the room.

3-2. Fasten the L bracket (Type D) using a screw (Type A).

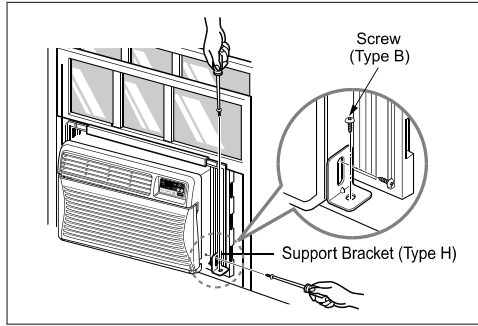


⚠ CAUTION

To prevent broken glass or damage to windows, on vinyl or other similarly constructed windows, attach the window locking bracket to the window side jamb with one Type A screw.

3-3. Remove the screw from the right side of cabinet.

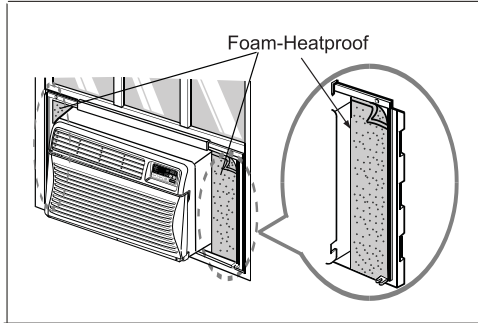
3-4. Fasten the support bracket (Type H) using a screw removed from the air conditioner cabinet. Attach the support bracket (Type H) to the inner window sill with a screw (Type B).



ENGLISH

4. Cut the adhesive-backed Foam-Heatproofs to the Guide Panel size. Remove the backing from the Foam-Heatproofs and attach the Foam-Heatproofs to Guide Panel.

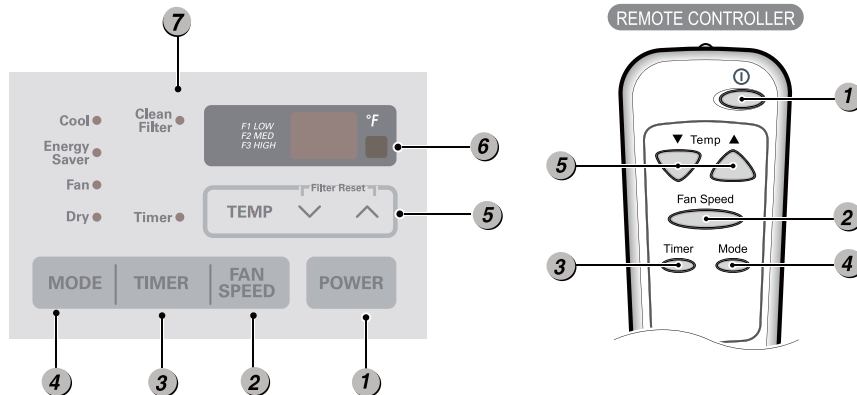
Tip! Foam-Heatproof improves the cooling capability of the unit.



5. Window installation of room air conditioner is now completed.
See ELECTRICAL DATA for attaching power cord to electrical outlet.

Operating Instructions

Remote Control Operations



1 POWER

Operation starts when this button is pressed and stops when you press the button again.

2 FAN SPEED SELECTOR

Use to set the fan speed to *Low (F1)*, *MED (F2)*, *High (F3)*.

3 ON/OFF TIMER

Delay ON - when the air conditioner is off, it can be set to automatically turn on from 1 to 24 hours at its previous mode and fan settings.

Delay OFF - when the air conditioner is on, it can be set to automatically turn off from 1 to 24 hours.

4 OPERATION MODE SELECTOR

- Push the MODE button to rotate between Energy Saver / Cool / Fan / Dry.

Energy Saver - The fan stops when the compressor stops cooling.

Approximately every 3 minutes the fan will turn on and check the room air temperature if cooling is needed.

Cool - Compressor runs and cools the room. Use the \wedge / \vee and FAN buttons to set the desired temperature and circulation fan speed.

Fan - Fan circulates air but compressor does not run. Use the FAN button to set the desired fan speed.

Dry - Dry mode is used to remove humidity from the room without additional cooling. Once the set temperature is reached, the compressor and circulation fan turns off. Fan speed is pre-set and cannot be adjusted.

5 TEMPERATURE CONTROL

The thermostat monitors room temperature to maintain the desired temperature. The thermostat can be set between 60°F~86°F (16°C~30°C).

6 REMOTE CONTROL SENSOR

7 CLEAN FILTER

'Clean Filter' LED will light up to notify you that your filter needs to be cleaned. After cleaning the filter, press "Temp \wedge \vee " together to turn off 'Clean Filter' light. (Filter reset must be done from unit control panel not remote control).

NOTICE

This feature is reminder to clean the Air Filter (See Maintenance) for more efficient operation. The LED (light) will illuminate after 250 hours of operation.

AUTO RESTART

During operation in failure of electric power, the unit runs as previous setting operation.

ENERGY SAVER

The unit defaults to Energy Saver mode each time the unit is switched on except restoration after an electrical power outage and fan mode.

▲ CAUTION

The remote controller will not function properly if strong light strikes the sensor of the air conditioner or if there are obstacles between the remote controller and the air conditioner.

Inserting the Remote Control Battery

1. Push out the cover on the back of the remote control with your thumb.
2. Pay attention to polarity and insert one new AAA 1.5V battery.
3. Reattach the cover.



NOTICE

Do not use rechargeable battery. Make sure that the battery is new. Do not mix alkaline, standard (Carbon-zinc) or rechargeable (Nickel-cadmium) battery.

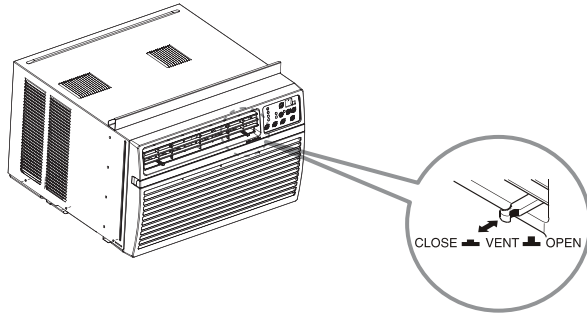
- In order to prevent discharge, remove the battery from the remote control if the air conditioner is not going to be used for an extended period of time.

Keep the remote control away from extremely hot or humid places.

To maintain optimal operation of the remote control, the remote sensor should not be exposed to direct sunlight.

Ventilation

The ventilation lever must be in the CLOSE position in order to maintain the best cooling conditions. When fresh air is necessary in the room, set the ventilation lever to the OPEN position. The damper is opened and room air is drawn out.

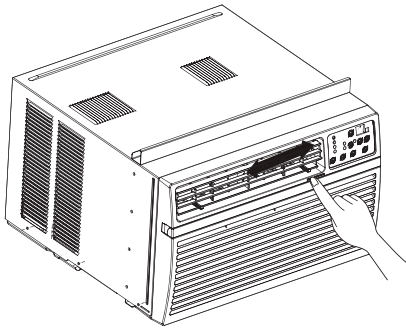


Air Direction

Airflow can be adjusted by changing the direction of the air conditioner's louvers.

Adjusting Horizontal Air Flow Direction

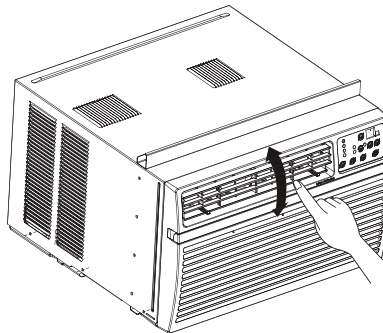
The horizontal direction is adjusted by moving the lever to the left or right.



Adjusting horizontal air flow direction

Adjusting Vertical Air Flow Direction

Touch the horizontal louvers to adjust the air airflow up or down.



Adjusting vertical air flow direction

NOTICE

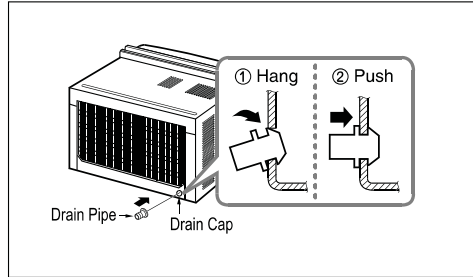
When the unit operates in extremely hot weather, it turns off automatically to protect compressor.

Additional Features

Drain Pipe

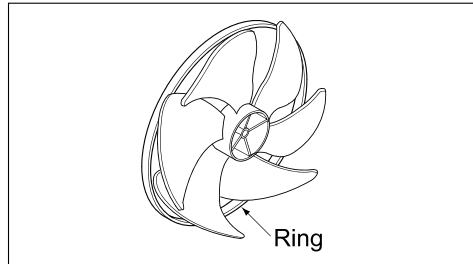
In humid weather, excess water may cause the base pan to overflow. To drain the water, remove the drain cap and secure the drain pipe to the rear hole of the base pan.

Press the drain pipe into the hole by pushing down and away from the fins to avoid injury.



Slinger Fan

This air conditioner is equipped with a slinger fan. (See drawing, below.) The fan has an outer ring that runs in the water that collects in the base pan if it gets deep. That condensate is then picked up by the fan and expelled through the condenser, making the air conditioner more efficient.

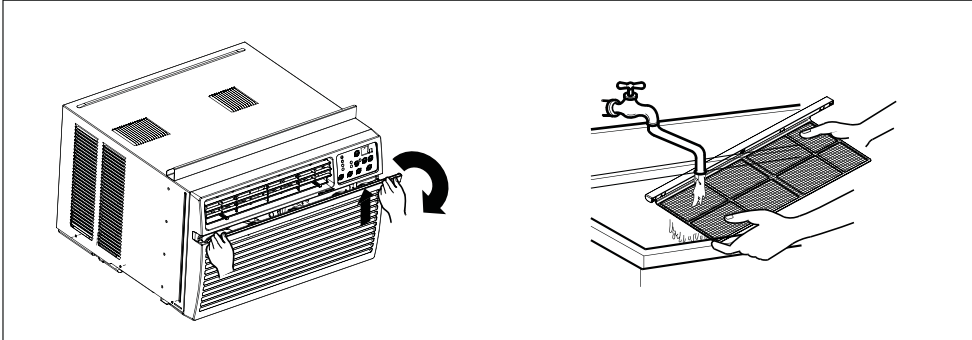


CAUTION: Be careful when inserting the drain pipe. Push away from the sharp fin area to avoid slipping injuring yourself.

Maintenance and Service

Air Filter

Check the air filter at least twice a month to see if cleaning is necessary. Trapped particles in the filter can build up and block the airflow, reducing cooling capacity and causing an accumulation of frost on the evaporator. To clean the air filter:



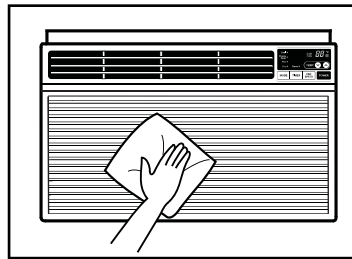
1. Remove the air filter from the front grille by pulling forward the air filter and then up slightly.
2. Wash the filter using lukewarm water below 40°C (104 °F).
3. Gently shake the excess water from the filter and replace.

Cleaning The Air Conditioner

The front grille and inlet grille may be wiped with a cloth dampened in a mild detergent solution.

The cabinet may be washed with mild soap or detergent and lukewarm water, then polished with liquid wax for Appliances.

To ensure continued peak efficiency, the condenser coils (outside of unit) should be checked periodically and cleaned if clogged with soot or dirt from the atmosphere.



Removal From Window

Turn the air conditioner off, disconnect the power cord, remove the L bracket, the screws and Support Bracket installed through the top and bottom of the guide panels, and save for reinstallation later. Close the guide panels. Keeping a firm grip on the air conditioner, raise the sash, and carefully tilt the air conditioner backward, draining any condensate. Lift the air conditioner from the window and remove the sash seal from between the windows.

Be sure to drain ALL condensate from the air conditioner. If you don't, it could run out while you carry the unit, making a mess and creating a slipping hazard. This simple step will save you much cleaning and make a safer work environment.

Common Problems and Solutions

ENGLISH

Before Calling for Service

If you have problems with your air conditioner, read the following information and try to solve the problem. If you cannot find a solution, turn off the air conditioner and call 1-800-243-0000.

Air conditioner does not operate

1. Ensure that the air conditioner is plugged into an outlet of the proper voltage and amperage.
2. Check the fuse or circuit breaker.
3. Check whether the voltage is unusually high or low.

Air does not feel cold enough on the cooling setting

1. Ensure that the temperature settings are correct.
2. Check to see if the air filter is clogged with dust. If so, clean the filter.
3. Ensure that the air flow from the outside is not obstructed and that there is a clearance of over 20" between the back of the air conditioner and the wall or fence behind it.
4. Close all doors and windows and check for any source of heat in the room.

Water drip from the rear of the unit

You see water dripping from the rear of the unit. Water may be collected in the base pan in highly humid conditions or on rainy days. This water overflows and drips from the rear of the unit.

Normal Sound

High pitched Chatter

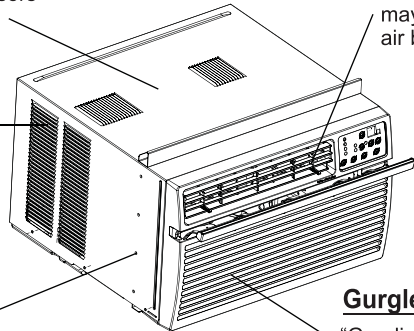
Today's high efficiency compressors may have a high pitched chatter during the cooling cycle.

Sound of Rushing Air

At the front of the unit, you may hear the sound of rushing air being moved by the fan.

Pinging or Swishing

Droplets of water hitting condenser during normal operation may cause "pinging or swishing" sounds. (See the section on Slinger Fan, page 19)



Vibration

Unit may vibrate and make noise because of poor wall or window construction or incorrect installation.

Gurgle/Hiss

"Gurgling or hissing" noise may be heard due to refrigerant passing through evaporator during normal operation.

Troubleshooting

The air conditioner may be operating abnormally when:

Problem	Possible Causes	What To Do
Air conditioner does not start	The air conditioner is unplugged.	Make sure the air conditioner plug is pushed completely into the outlet.
	The fuse is blown/circuit breaker is tripped.	Check the house fuse/circuit breaker box and replace the fuse or reset the breaker.
	Power failure.	If power failure occurs, turn the mode control to Off. When power is restored, wait 3 minutes to restart the air conditioner to prevent tripping of the compressor overload.
	The current interrupter device is tripped.	Press the RESET button located on the power cord plug. If the RESET button will not stay engaged, discontinue use of the air conditioner and contact a qualified service technician.
Air conditioner does not cool as it should	Airflow is restricted.	Make sure there are no curtains, blinds, or furniture blocking the front of the air conditioner.
	The temp control may not be set correctly.	In COOL model, press the DECREASE ▾ pad.
	The air filter is dirty.	Clean the filter at least every 2 weeks. See the care and Maintenance section.
	The room may have been hot.	When the air conditioner is first turned on, you need to allow time for the room to cool down.
	Cold air is escaping.	Check for open furnace floor registers and cold air returns.
Cooling coil have iced up.	See Air Conditioner Freezing Up below.	
Air conditioner freezing up	The cooling coils are iced over.	Ice may block the air flow and obstruct the air conditioner from properly cooling the room. Set the mode control at High Fan or High Cool .
Water drips outside	Hot, humid weather.	This is normal.
Water drips indoors	The air conditioner is not tilted to the outside.	For proper water disposal, make sure the air conditioner slants slightly from the case front to the rear.
Water collects in base pan	Moisture removed from air and drains into base pan.	This is normal for a short period in areas with little humidity; normal for a longer period in very humid areas.
Air conditioner turns on and off rapidly.	Dirty air filter - air restricted.	Clean air filter.
	Outside temperature extremely hot.	Set FAN speed to a faster setting to bring air through cooling coils more frequently.
Noise when unit is cooling.	Air movement sound.	This is normal. If too loud, set to lower FAN setting.
	Window vibration - poor installation.	Refer to installation instructions or check with installer.
Remote Sensing Deactivating Prematurely.	Remote control not located within range.	Place remote control within 20 feet & 120° radius of the front of the unit.
	Remote control signal obstructed.	Remove obstruction.
Room too cold.	Set temperature too low.	Increase set temperature.

*You can refer to the Energy Star program in detail at www.energystar.gov.

* If you see "CH" in the display, please call 1-800-243-0000.