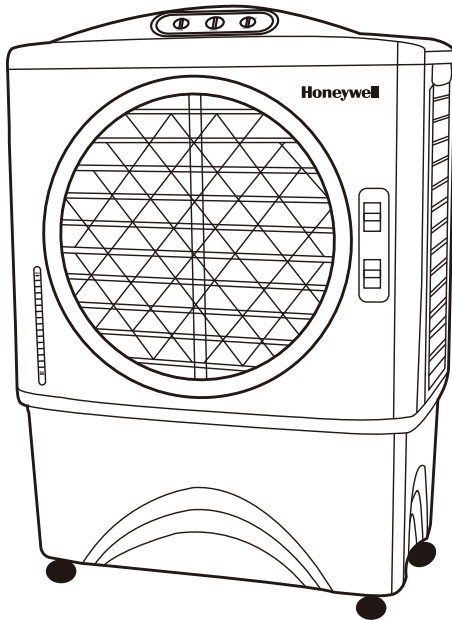


Honeywell

Portable Evaporative Air Cooler
for Outdoor, Indoor & Commercial Use



OWNER'S MANUAL

Read and save these instructions before use

Model: CO48PM

Power rating: 140 Watts
Voltage rating: 120 Volt AC, 60Hz

For product inquiries or support, visit www.honeywellaircoolers.com

QUICK START GUIDE

1



Fill with water and plug into a standard power outlet.

Note: Please make sure the household power voltage matches the product specifications.

2



Place near an open door or window.

Note : Evaporative air cooler requires cross ventilation.

3



Turn ON and enjoy the cooling breeze.

Note: Start with LOW speed and gradually increase to higher speed for optimum cooling performance.

Read all instructions carefully before setting up and operating the cooler, and please keep this instruction manual for future reference. This manual is designed to provide you with important information needed to setup, operate, maintain, and troubleshoot your cooler. Failure to follow these instructions may damage and/or impair its operation and void the warranty.

SECTION	PAGE
1. THANK YOU	2
2. USER TIPS	3
3. SAFETY	5
4. PARTS DESCRIPTION	8
5. USE & OPERATION	9
Control Panel	9
Control Knobs	10
Fill Water	11
6. CLEANING & MAINTENANCE	13
7. TROUBLESHOOTING GUIDE	15
8. TECHNICAL SPECIFICATIONS	16
9. ELECTRICAL WIRING DIAGRAM	17
10. SERVICE AND WARRANTY	18

THANK YOU

Congratulations on your purchase of this versatile Honeywell Evaporative Air Cooler. For optimum cooling from your cooler, fill the water tank to maximum level and load ice inside the ice compartment before you turn on your air cooler.

Cooler Location (Important - Please Read!)

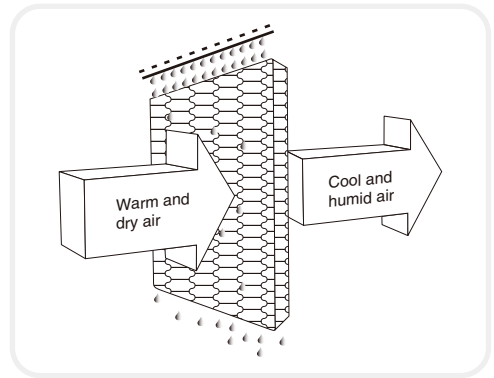
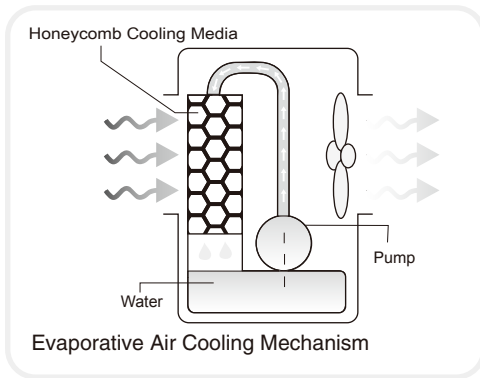
Place the cooler in front of an open door or window. Ensure that there is adequate cross - ventilation in the room by leaving a door or window open opposite the cooler. Following these guideline will ensure your cooler will work as effectively as possible.

Not an Air Conditioner (Important - Please Read!)

The evaporative air cooler is not an air conditioner as it does not use a compressor or refrigerant gas. It should not be expected to cool as efficiently as a refrigerated air conditioner.

Energy Efficient, No Compressor

Honeywell Evaporative Air Coolers are built to maximize energy efficiency and keep costs low. Warm air is drawn into the cooler and enters the Honeycomb Cooling Media. Water pumped from the tank pours over the honeycomb media. As the warm air passes through the media, the water absorbs the heat, naturally cooling and humidifying the air. A fan propels the cooled air out into the room. This no-compressor system cools naturally, efficiently and inexpensively.



USER TIPS

Indoor Use

The recommended maximum relative humidity level is 60% or less, which allows a noticeable temperature decrease. The temperature decrease will be greater in drier climates because higher evaporation occurs when the humidity is low.

The evaporative air cooler should not be used in enclosed spaces. It must be kept level and there must be water in the water tank. The room should have doors and windows opened to allow free air flow. The evaporative air cooler works best when placed near an open window, so that outside air is drawn into the evaporative air cooler, the air circulates in the room, then exits via the door. The maximum cooling effect is felt when a person is in the flow of air coming out of the evaporative air cooler.

The evaporative air cooler can also be used to humidify dry air during cool weather. To be used for humidification the windows and doors should be closed to allow the humidified air to accumulate.



Room with open windows & door
(RECOMMENDED)



Room with closed windows & door
(NOT-RECOMMENDED)

NOTE (Important - Please Read!)

When the product is used for the first time the Honeycomb Cooling Media will have an odor which will dissipate in a few hours or so of initial use.



Read And Save These Instructions:

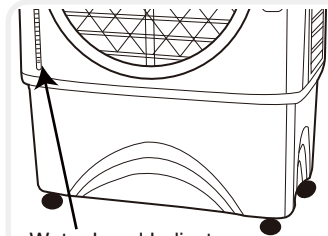
When using electrical appliances, basic safety precautions should always be followed:

- Your cooler runs on 120 Volt AC, 60 Hz current. Check the household voltage to ensure it matches the appliance's rate specification.
- Before operating the product remove it from its packaging and check that it is in good condition.
- DO NOT operate any product with a damaged cord or plug.
- DO NOT run power cord under carpeting, or cover it with rugs or runners. Keep the cord away from areas where it may be tripped over.
- Always unplug the product before refilling the water tank.
- Always unplug the appliance from the power source before cleaning, servicing or relocating the unit.
- Remove the power cord from the electrical receptacle by grasping and pulling on the power cord plug-end only, never pull the cord.
- DO NOT use the product in areas where gasoline, paint or other flammable goods and objects are stored.
- When using the "COOL" setting, check the water tank to ensure that it is full. Operation of this cooler on the "COOL" setting with an empty tank may result in damage to the water pump.



120V - 60 Hz

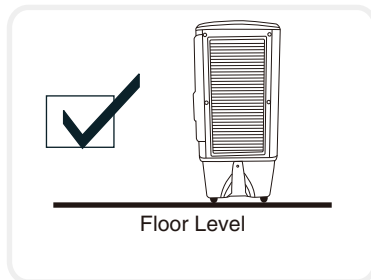
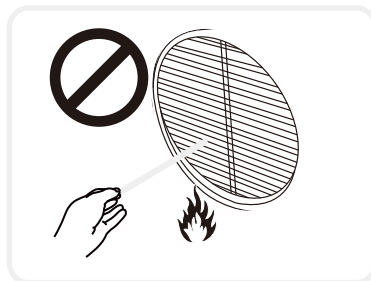
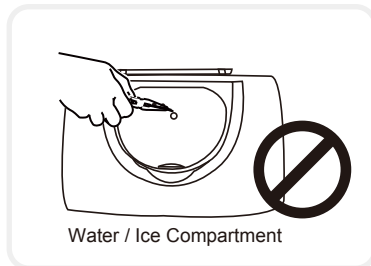
Shock Hazard



Water Level Indicator

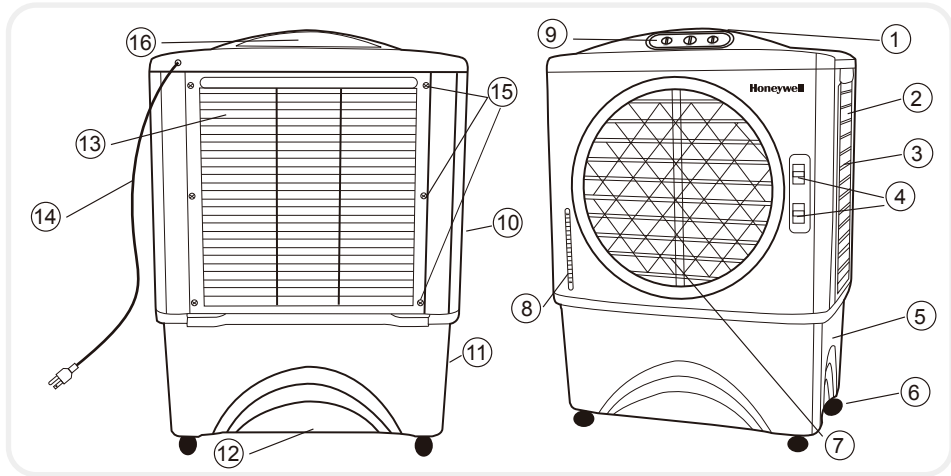
SAFETY

- DO NOT attempt to repair or adjust any electrical or mechanical functions of the cooler, as this may void the warranty.
- DO NOT cover the air inlet or outlet on the appliance as this may cause motor damage.
- DO NOT insert or allow objects to enter any ventilation or exhaust opening as this may damage the product and could cause an electrical shock or fire.
- DO NOT operate with the Honeycomb media removed as this will overload and damage the motor.
- DO NOT leave the operating appliance unattended for any extended period of time.
- DO NOT let children play with this appliance, packaging or plastic bags.
- If the unit is damaged or if it malfunctions, do not continue to use it. Refer to the Troubleshooting Guide (page 15) and contact the service center.
- Place the unit on a level floor.
- This product is not intended for use in wet or damp locations.
- DO NOT use in bathrooms. Never locate the product where it may fall into a bathtub or other water container.
- Store in a dry area when not in use.
- This appliance is not intended for use by persons (including children or elderly) with reduced physical, sensory or mental capabilities, or lack of experience and knowledge, unless they have been given supervision or instruction concerning use of the appliance by a person responsible for their safety.
- Always grip the side handles to move the cooler.



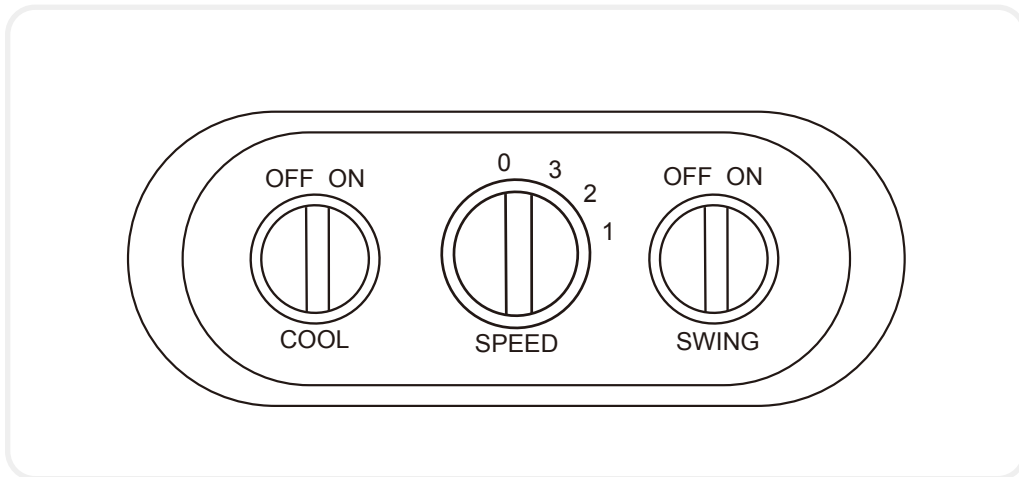
- Don't use indoor extension cords outside. Look for extension cords specifically marked for outdoor use. Look for extension cords that have a GFCI (Ground Fault Circuit Interrupter) built in.
- Make sure the amperage rating for the extension cord is higher than the amperage rating for the appliance. Check labels and owner's manuals on the appliance and the extension cord for amperage ratings.
- Power cords have to be contained. If they must run along the ground, make sure every inch of them is secured so they will not be tripped over.
- The wiring and connections must be waterproof. Be sure the connections (to the air cooler) never get wet. Your unit is waterproof, but everything attached to it must be waterproof, too.
- Set up your unit so it cannot be tripped over or wobble loose. It must rest on a solid support.

PARTS DESCRIPTION



- | | | | |
|---|---|----|------------------------------------|
| 1 | Water Inlet and Ice Loading Compartment | 9 | Control Panel |
| 2 | Handle | 10 | Right Honeycomb Panel |
| 3 | Left Honeycomb Panel | 11 | Continuous Water Supply Connection |
| 4 | Lever for Horizontal Louvers | 12 | Drain Plug |
| 5 | Water Tank | 13 | Backside Honeycomb Panel |
| 6 | Casters | 14 | Power Cord & Plug |
| 7 | Horizontal Louvers | 15 | Rear Grill Removal Screws |
| 8 | Water Level Indicator | 16 | Water Fill Door |

Control Panel



NOTE:

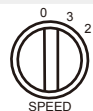
Speed control may be marked as High / Med / Low in certain units.



Control Knobs

Speed / On - Off

Connect to the power supply and turn the Speed knob. The fan will start. Change the speed from 1 for Low to 2 for Medium to 3 High. To switch OFF the unit turn the Speed knob to "0".



Cool

To begin cooling the desired area turn the "COOL" switch ON. The water pump will operate. You can feel the cooler air after the Honeycomb cooling media is completely wet.



Swing

Turn the "SWING" switch ON. The louvers will begin to move from right to left automatically. Manually adjust the horizontal louvers to change vertical airflow.



Horizontal Louvers

Manually adjust the horizontal louvers to change vertical airflow.

CAUTION

Unplug from power when refilling.

Filling With Water

Water can be filled into the air cooler by:

Water Inlet (Manually)

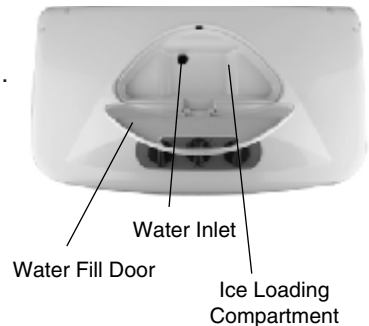
Water / Ice can be put into the tank through the top opening. There is a hole for water to flow into the tank.

Continuous water supply (Auto Refill)

Connect a garden hose to the continuous water supply inlet.

Water Inlet (Manually)

- To refill the water tank, pull out the Water Fill Door located on the top of the unit (#16 on Page 8) and fill water to the Max, as indicated on the Water Level Indicator (#8 on Page 8).
- Do not fill water above the Max water level mark.
- For maximum cooling performance, put ice cubes inside the Ice Loading Compartment located on the top of the Air Cooler (#1 on Page 8).



Filling With Water (Continuous Water Supply Connection)

CAUTION

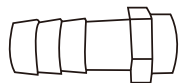
Unplug from power source before filling

This automated process eliminates the need to manually refill the water tank.

- Securely connect the continuous water supply connector (located on the lower left side panel #11 on Page 8) to the water supply.
- Turn on the water.
- The water tank will refill automatically.
- The water float valve will detect the water level and will automatically start or stop the water flow.
- Plug the unit into the power supply and turn the unit on.

Installing Hose Adapter And Float Valve

- Connect the garden hose to the water supply connector (# 11 on Page 8)
- Verify that connections are secure and turn on the water.



Hose Connectora



Important - Please Read!

- The cooler is supplied with Honeycomb Cooling Media.
- The cleaning frequency for the Honeycomb media depends on local air and water conditions. In areas where the mineral content of water is high, mineral deposits may build up on the Honeycomb Cooling Media and restrict air flow. Draining the water reservoir and refilling with fresh water at least once a week will help reduce mineral deposits. If mineral deposits remain on the Honeycomb media, the media should be removed and washed under fresh water. The media should be cleaned every two months or sooner, depending on your needs.
- Do not run the unit in COOL mode with stale water in the tank. Empty the tank and refill it with fresh water if the water has been standing in the tank for an extended period of time.
- For best results, allow the Honeycomb Cooling Media to dry after each use by turning off the cool function 15 minutes before turning the unit off.

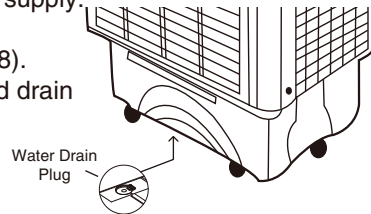
WARNING

- Before cleaning, turn the unit off and disconnect from the power source.
- Use a damp cloth to remove dirt and dust from the outside of the unit.
- Never use abrasive cleaners.
- When the unit is not in use, store it in a dry place, out of direct sunlight.

CLEANING & MAINTENANCE

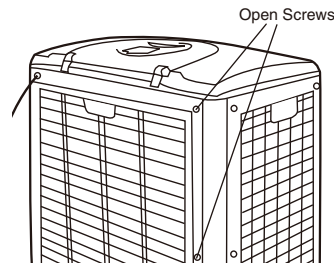
Draining and Cleaning The Water Tank

- Turn the power “off” and disconnect the air cooler from the power supply.
- Move the unit to a location where it can be drained.
- Remove the drain plug and allow the tank to empty(#12 on Page 8).
- Refill the water tank up to the maximum level with clean water and drain it completely.
- Fill water tank and rinse at least 2-3 times before use.
- After cleaning ensure that the drain plug is back in place.
- Plug into the power supply and turn on unit.



Cleaning The Honeycomb Cooling Media

- Turn off the unit, and unplug the power cord from wall outlet.
- Rotate the unit facing the back panel, and locate the Rear Grill Removal Screws (#15 on Page 8). Remove the 4 screws with a screw driver.
- Pull the rear grill panel, until it is completely removed.
- This cooler has Honeycomb cooling media on the right and left panels. The cleaning and removal procedure is the same as rear panel.
- The Honeycomb cooling media can now be seen. Clean honeycomb with clean cloth to remove all the dust & dirt particles.
- Once cleaning is finished, reassemble the unit.
- Plug into the power supply and turn on unit.



The air cooler is now ready to be used. This cleaning process should be repeated monthly to maintain the integrity of the unit and to remove particles filtered from the air.

PROBLEM	POSSIBLE CAUSE	SOLUTION
No discharge of air	Cord is not plugged in.	Make sure power cord is plugged in and the supply switch is on.
	Power is not on.	Turn the unit ON by pressing button on the control panel.
Not Cooling / Unit is making noise	Pump is not turned ON.	On Control Panel, turn COOL FUNCTION to "ON".
	Low or no water in tank, when COOL is selected.	Refill water tank.
	Damaged Pump or Calcium deposits on blower.	Contact service center.
Odors	When the Cooler is new.	When the unit is used for the first time, the Honeycomb Cooling Media will have an odor, which will dissipate within a few hours of initial use.
	If the Cooler has been used.	There may be an algae issue. Replace the Honeycomb Cooling Media.

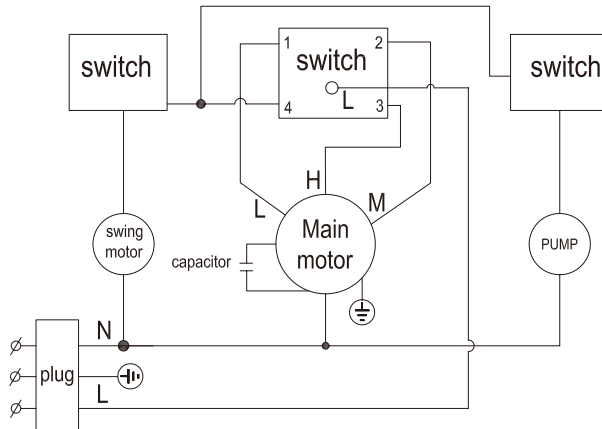
TECHNICAL SPECIFICATIONS

MODEL NO.

CO48PM

Voltage	120 V
Frequency	60 Hz
Wattage	140 Watts
Ampere	1.83A
Water Tank Capacity	12.6 Gallon
Cooling Media	Honeycomb
Product Dimension (inches)	24.40(L) X 14.76(W) X 34.17(H)
Net Weight	29.3 lbs

ELECTRICAL WIRING DIAGRAM



1-YEAR LIMITED WARRANTY

Read all the instructions before attempting to use this product.

This 1 year limited warranty applies to repair or replacement product found to be defective in material or workmanship

- A. This warranty does not apply to any damage resulting from commercial, abusive, unreasonable use or supplemental damage. Defects that are the result of normal wear and tear will not be considered manufacturing defects under this warranty.

JMA NORTH AMERICA LLC IS NOT LIABLE FOR INCIDENTAL OR CONSEQUENTIAL DAMAGES OF ANY NATURE. ANY IMPLIED WARRANTY OF MERCHANTABILITY OR FITNESS FOR A PARTICULAR PURPOSE ON THIS PRODUCT IS LIMITED IN DURATION TO THE DURATION OF THIS WARRANTY.

Some jurisdictions do not allow the exclusion or limitation of incidental or consequential damages or limitations on how long an applied warranty lasts, so the above limitations or exclusions may not apply to you. This warranty gives you specific legal rights, and you also may have other rights which vary from jurisdiction to jurisdiction. This warranty applies only to the original purchaser of this product from the original date of purchase.

- B. At its option, JMA NORTH AMERICA LLC will repair or replace this product if it is found to be defective in material or workmanship.
- C. This warranty does not cover damage resulting from any unauthorized attempts to repair or from any use not in accordance with the instruction manual.

- D. Please read the Instruction Manual carefully before setting up or using this product. If you believe this product to be suffering from a manufacturing fault, or if you have inquiries about this product, please contact our Customer Support:

CUSTOMER SUPPORT
JMA North America LLC
Ramsey, New Jersey, 07446.
Phone : 800-474-2147
Email : info@jmana.us

When contacting our Customer Support, please have the information below along with the proof of purchase. All warranty requests must be accompanied by a proof of purchase, which is a copy of the original receipt.

Model :
Date of purchase :
Purchased from :

Distributor:

JMA North America LLC

Ramsey New Jersey 07446

Customer Support: 1-800-474-2147

E-mail: info@jmana.us

www.honeywellaircoolers.com

CO48PM_IM_Eng_Spa_USA(lowes)_7

November 2012

© 2012 AirTek International Corporation Limited

The Honeywell Trademark is used under license from
Honeywell International Inc.

Honeywell International Inc. makes no representation or
warranties with respect to this product.

Manufactured by AirTek International Corporation Limited.

Honeywell