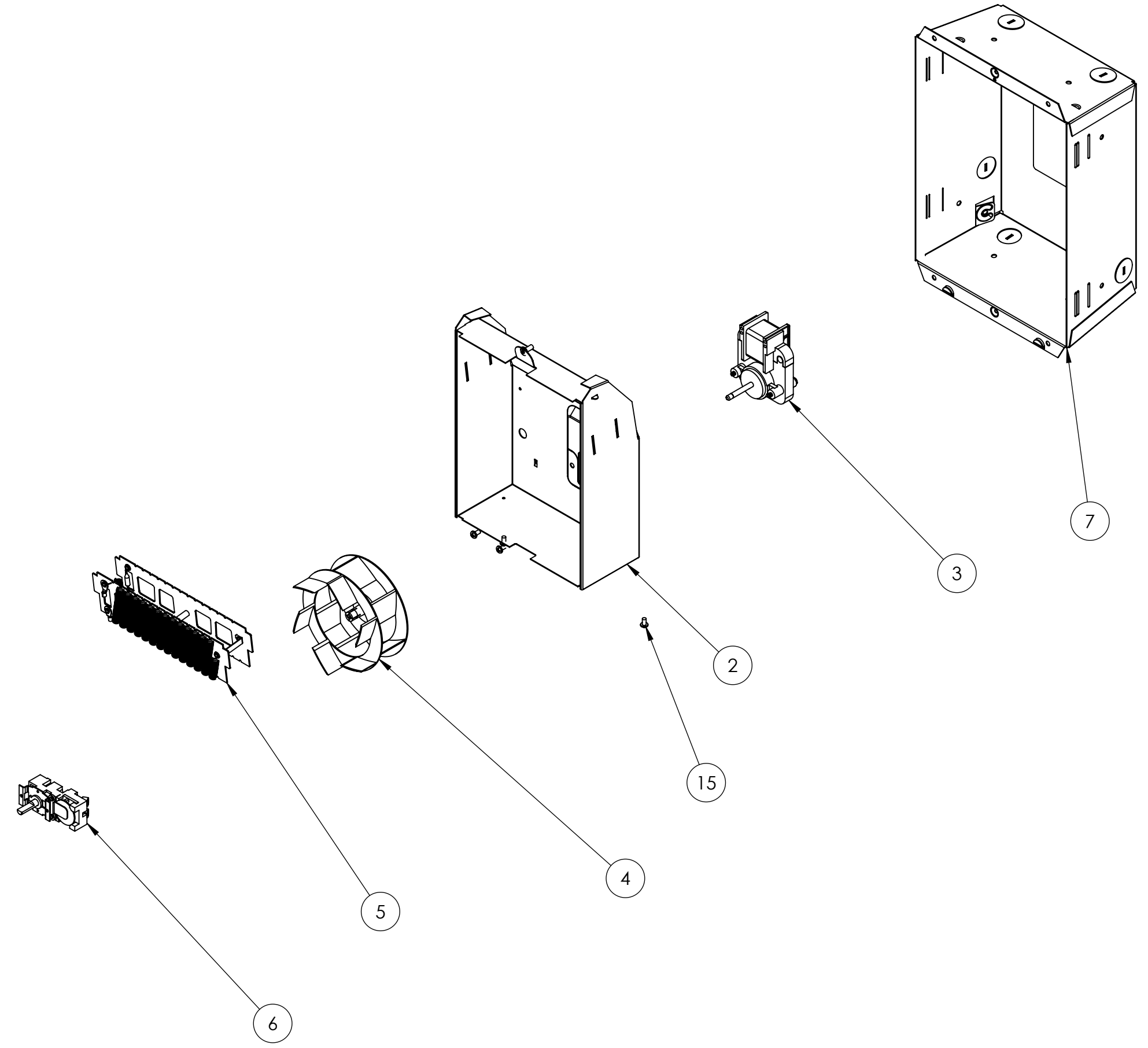
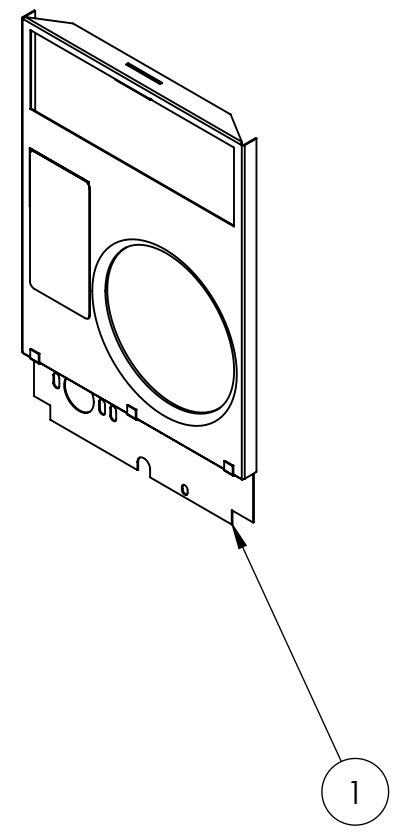
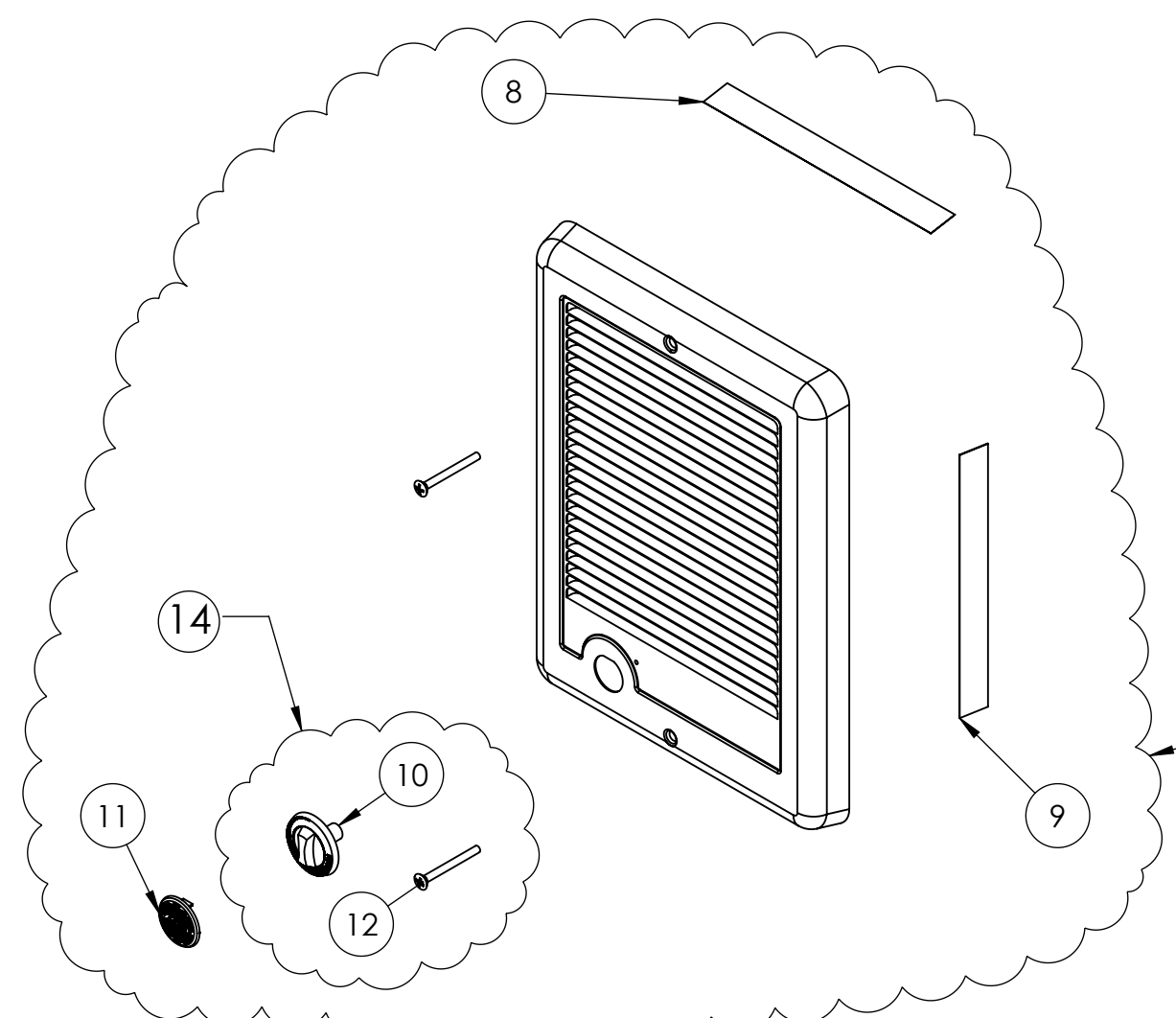


ITEM NO.	PART NUMBER	DESCRIPTION
1	---	HTBX COVER, CS/CST, FAB-PAINT
2	---	HTBX, CS/CST, FAB-PAINT
3	051402	MOTOR, C/CS/CT/CST/CM, 240V FAST
	051402	MOTOR, CS058, CS078, CS108, CS118, CS158, CS202
	051406	MOTOR, CS208
	051421	MOTOR, CS052, CS072, CS102, CS122, CS152
	051422	MOTOR, CS051, CS101, CS151
4	040040	BLOWER 1 PIECE, C/CT, PLASTIC
5	054055	ELEMENT, CS, CHART REFERENCE
	054056	ELEMENT, CS058, CS072, 750W 240V
	054057	ELEMENT, CS078, CS102, 1000W 240V
	054058	ELEMENT, CS108, CS122, 1250W 240V
	054059	ELEMENT, CS118, CS152, 1500W 240V
	054060	ELEMENT, CS051, CS158, CS202, 2000W 240V
	054061	ELEMENT, CS101, 1000W 120V
	054062	ELEMENT, CS151, 1500W 120V
	054063	ELEMENT, CS208, 2000W 208V
6	051211	STAT 58T1 SP 25A
	051206	STAT 58T2 DP 25A
7	67061	ASSY, WALL CAN, C
8	070370	CAUTION UL FAN HEATER
9	070357	LABEL, ANSI WARNING, FAN
10	040004	KNOB, C/CS/CT/CST/CM/UC, SP WHT
	040003	KNOB, C/CT/CM, SP ALM
	040032	KNOB, C/CT/RM/CM, DP ALM
	040062	KNOB,C/CT/RM/CM/B/UC,DP WHITE
11	040010	PLUG CADET - 2000 WHITE
	040015	PLUG CADET, ALMOND
12	120704	PARTS PKG.(WHITE)
	120702	PARTS PKG. (ALMOND)
13	67075	CGA GRILL KIT W,PARTS ALMOND (INCL.#8-#14)
	67079	CGA GRILL KIT W,PARTS WHITE (INCL.#8-#14)
14	100705	PARTS PKG, ALMOND W/SP KNOB AND SCREWS
	100706	PARTS PKG, WHITE W/SP KNOB AND SCREWS
15	---	SCREW #6 X 1/4A PP ST SERR ZPL

## COM-PAK CS PARTS & ASSEMBLY DETAIL VIEW

REVISIONS					
ECN #	REV.	DESCRIPTION	DATE	DRAWN BY	APPROVED
2429	A	CREATED CD FOR EXPLODED DWG	10/22/2014	J.SEGURA	G.RALSTIN



**CADET** **INVITING WARMTH**

PHONE 360.693.2505  
www.cadetheat.com

For verification of exact diagram for your heater, contact Cadet's Technical Department

INTERPRET GEOMETRIC TOLERANCE PER: ASME Y14.5M	NAME	DATE	<b>CADET MANUFACTURING COMPANY</b> VANCOUVER, WA. U.S.A TEL. (360) 693-2505
DIMENSIONS ARE IN INCHES DIMENSIONS IN [ ] ARE MM	DRAWN	J.SEGURA/10/22/2014	
TOLERANCES UNLESS OTHERWISE SPECIFIED	CHECKED		
ANGULAR: ±1°	ENG APP.		DESCRIPTION: COM-PAK CS PARTS & ASSEMBLY DETAIL VIEW
INCHES	MATERIAL		SIZE DWG. NO.
.x ±.062			C 990007
.xx ±.030			REV
.xxx ±.015			A
.xxxx ±.008	FINISH		SCALE: 1:4
			990007.sliddrw
			SHEET 1 OF 1

THE DOCUMENT IS THE PROPERTY OF CADET MANUFACTURING COMPANY AND MAY CONTAIN PROPRIETARY INFORMATION. BY ACCEPTING THIS INFORMATION, THE BORROWER AGREES THAT IT WILL NOT BE USED FOR ANY PURPOSE OTHER THAN FOR WHICH IT IS LOANED. IT MAY NOT BE REPRODUCED IN ANY MANNER AND SHOULD BE DESTROYED AFTER SERVING ITS INTENDED FUNCTION.

I:\temp\public\Compin\Cadet Doc Sys Cnt\9900-9991